



Sanctuary Rectangle Pipeless™ Reflexology Pedicure Bath

Modern rectangular styling balanced with clean and safe hydromassage provides the perfect foundation for the ultimate pedicure experience. This Pipeless™ Reflexology Pedicure Bath features a spacious basin with a broad deck, providing ample working space for nail technicians and clients. The Sanctuary offers clean and safe hydromassage with quick 5 minute disinfection, ChromaSoothe lighting, 2-Jet dual speed system, electronic control panel, and an adjustable height foot rest.

- Reflexology Inspired Stone Design Foot Basin
- Two Patented, High Performance, Ultra-Quiet Pipeless™ Jets
- Relaxing ChromaSoothe Lighting
- Adjustable Height Padded Foot Rest
- Advanced Seal-less Motor Technology
- Complete Hygiene with Easy Disinfection Protocol
- Durable, High Gloss Acrylic Construction
- Available in White, Biscuit and Black

Model Selection

- ❑ M140-XX2-LSP3-ML: Rectangle Pipeless™ Reflexology Bath, 1.5" Deck, ChromaSoothe Lighting, Foot Rest and Electronic Control Panel – 115V, 60Hz, 2 Jet Dual Speed
- ❑ M144-XX2-LSP3-ML: Rectangle Pipeless™ Reflexology Bath, 4" Deck, ChromaSoothe Lighting, Foot Rest and Electronic Control Panel – 115V, 60Hz, 2 Jet Dual Speed
- ❑ M140-XX2-HSJ-ML: Rectangle Pipeless™ Reflexology Bath, 1.5" Deck, ChromaSoothe Lighting, Foot Rest and Electronic Control Panel – 230V, 50Hz, 2 Jet Dual Speed
- ❑ M144-XX2-HSJ-ML: Rectangle Pipeless™ Reflexology Bath, 4" Deck, ChromaSoothe Lighting, Foot Rest and Electronic Control Panel – 230V, 50Hz, 2 Jet Dual Speed

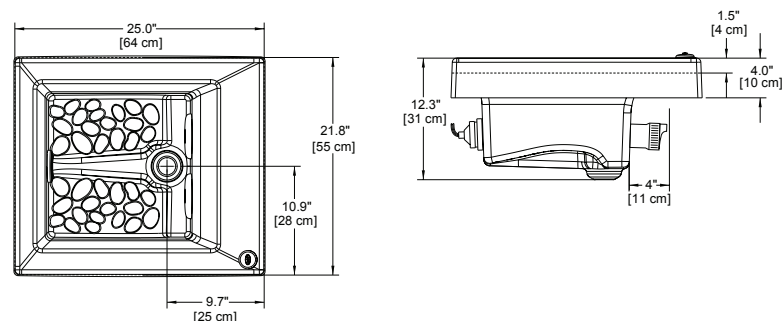
Optional Accessories

- ❑ PFC-6000-PC: ½" Single Lever Mixer, Pull-out Hand Shower - Polished Chrome
- ❑ PFC-6010-PC: High Arc Pull Down Single Lever Faucet - Polished Chrome
- ❑ PFC-6040-PC: Pull Out Single Lever Faucet - Polished Chrome
- ❑ DK-D100-PC: Lift & Turn Drain Set - (1 ½" PVC) - Polished Chrome
- ❑ 30020JA: Jet Assembly - Specify Color
- ❑ 68970: 32 oz. Spray Clorox Healthcare™ Bleach Germicidal Cleaner
- ❑ 68973: 64 oz. Clorox Healthcare™ Bleach Germicidal Cleaner Refill

Specifications

- Width: 21.8" (55 cm) x Length: 25.0" (64 cm) x Height: 12.3" (31 cm)
- Material: Structurally reinforced cast acrylic
- Operating Capacity: 4.5 Gallons (17 L)
- Approximate Ship Weight: 42 lbs (19 kg)
- Water Flow Rate: 14 gallons per minute (53 L)
- Electrical Requirements:
 - 115V / 60Hz, 2 Amp, 3 foot power cord & NEMA 5-15 plug (ETL Listed, North America)
 - 230V / 50Hz, 1 Amp, junction box for hard wire connection (CE Compliant)
- Plumbing Requirements:
 - Supply Connections: ½" NPT
 - Drain Outlet: 1 ½"

Dimensions



Specifications subject to change without notice