



Eternity Pipeless™ Reflexology Pedicure Bath

Inspired by the European Palladian architectural style, the Eternity classic lines evoke a deep passion for traditional styling. With terraced basin edges, coordinated corner detail and integral heel rest, the Eternity provides both style and function. The Eternity offers clean and safe hydromassage with quick 5 minute disinfection, ChromaSoothe lighting, 2-Jet dual speed system, electronic control panel, and a standard padded foot rest.

- Reflexology Inspired Stone Design Foot Basin
- Two Patented, High Performance, Ultra-Quiet Pipeless™ Jets
- Relaxing ChromaSoothe Lighting
- Foot Pad
- Advanced Seal-less Motor Technology
- Complete Hygiene with Easy Disinfection Protocol
- Durable, High Gloss Acrylic Construction
- Available in White, Biscuit and Black

Model Selection

- ❑ M160-XX2-LSP3-ML: Eternity Pipeless™ Reflexology Bath, 1.5" Deck, ChromaSoothe Lighting, Foot Pad and Electronic Control Panel – 115V, 60Hz, 2 Jet Dual Speed
- ❑ M164-XX2-LSP3-ML: Eternity Pipeless™ Reflexology Bath, 4" Deck, ChromaSoothe Lighting, Foot Pad and Electronic Control Panel – 115V, 60Hz, 2 Jet Dual Speed
- ❑ M160-XX2-HSJ-ML: Eternity Pipeless™ Reflexology Bath, 1.5" Deck, ChromaSoothe Lighting, Foot Pad and Electronic Control Panel – 230V, 50Hz, 2 Jet Dual Speed
- ❑ M164-XX2-HSJ-ML: Eternity Pipeless™ Reflexology Bath, 4" Deck, ChromaSoothe Lighting, Foot Pad and Electronic Control Panel – 230V, 50Hz, 2 Jet Dual Speed

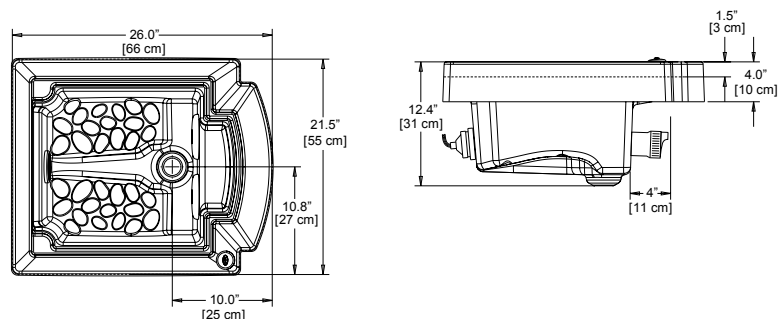
Optional Accessories

- ❑ PFC-6010-PC: High Arc Pull Down Faucet – Polished Chrome
- ❑ PFC-6040-PC: Pull Out Single Lever Faucet – Polished Chrome
- ❑ DK-D100-PC: Lift & Turn Drain Set – (1 ½" PVC) – Polished Chrome
- ❑ 30020JA: Jet Assembly – Specify Color
- ❑ 68970: 32 oz. Spray Clorox Healthcare™ Bleach Germicidal Cleaner
- ❑ 68973: 64 oz. Clorox Healthcare™ Bleach Germicidal Cleaner Refill

Specifications

- Width: 21.5" (55 cm) x Length: 26.0" (66 cm) x Height: 12.4" (31 cm)
- Material: Structurally reinforced cast acrylic
- Operating Capacity: 4.5 Gallons (17 L)
- Approximate Ship Weight: 42 lbs (19 kg)
- Water Flow Rate: 14 gallons per minute (53 L)
- Electrical Requirements:
 - 115V / 60Hz, 2 Amp, 3 foot power cord & NEMA 5-15 plug (ETL Listed, North America)
 - 230V / 50Hz, 1 Amp, junction box for hard wire connection (CE Compliant)
- Plumbing Requirements:
 - Supply Connections: ½" NPT
 - Drain Outlet: 1 ½"

Dimensions



Specifications subject to change without notice.