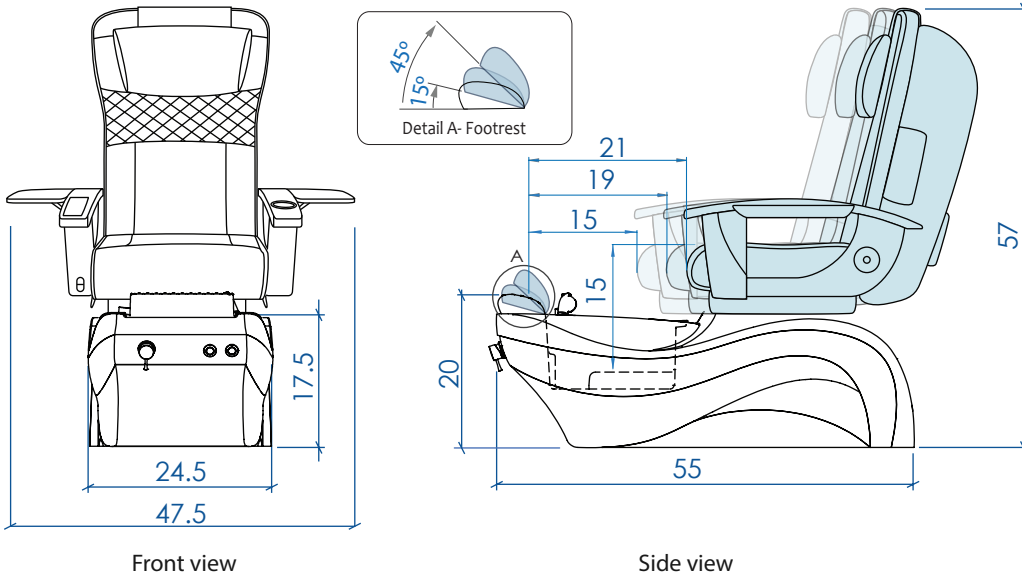


**ANS**™  
**WAVERLY**  
PEDISPA

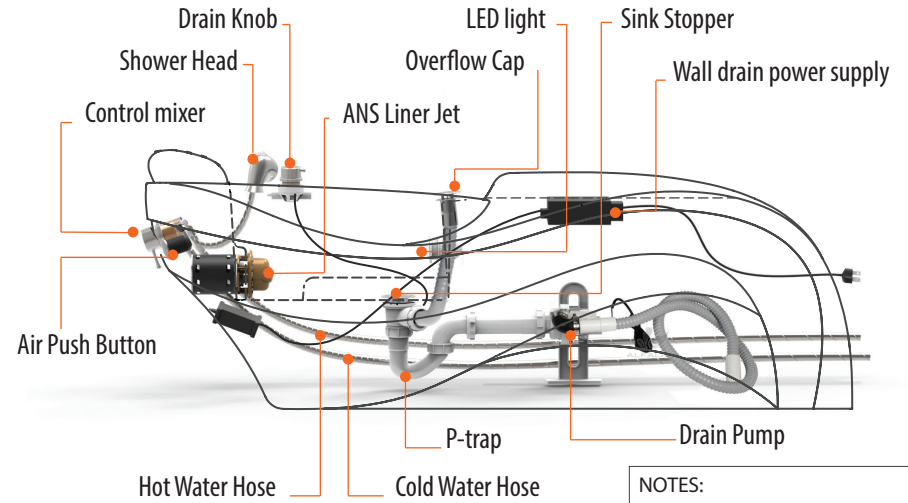


Package weight: 89 lbs.  
Tub w/ floor installation: 77 lbs.  
Sink Bowl Capacity: 4.5 U.S. gallon (17.03L)

Weight capacity: 300lbs



## PARTS IDENTIFICATION



**NOTES:**  
 POWER SOURCE: 110V AC/15 AMP 60 HZ (GFI PROTECTED)  
 CONFORMS TO  
 UL STD 1795 AND UL STD 73  
 CERTIFIED TO CSA C 22.2 NO. 218.1  
 AND CAN/CSA C 22.2 NO. 68

E4277221

Note: The wall drain system is shown in the above diagram

