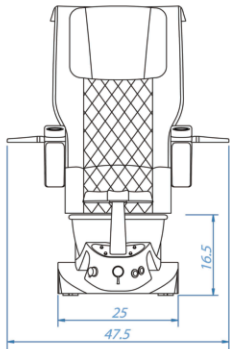


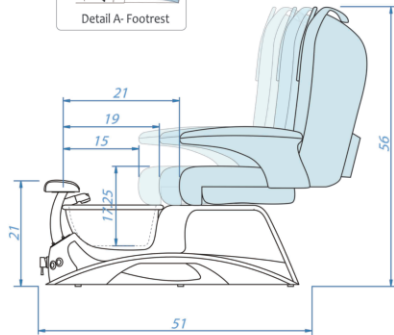
ANS **ARGENTO RG**
PEDISPA



Basin Net Weight: 124 lbs (56.25 kgs)
Sink Bowl Capacity : 4.5 U.S. gallon (17.03L)
Weight Capacity: 300lbs

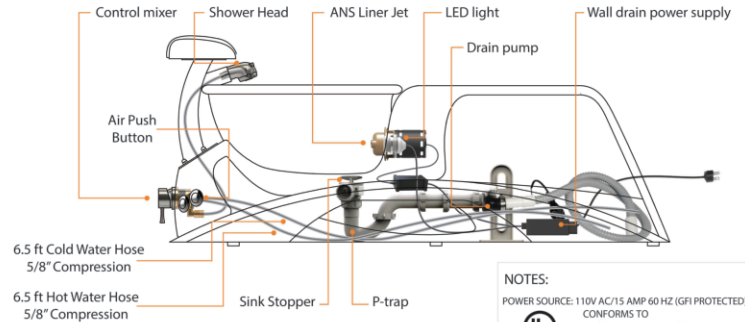


Front view



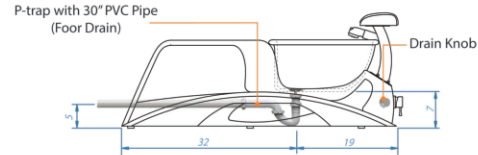
Side view

PARTS IDENTIFICATION

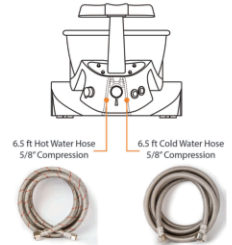


Note: The wall drain system is shown in the above diagram

NOTES:
POWER SOURCE: 110V AC/15 AMP 60 HZ (GFI PROTECTED)
CONFORMS TO
UL STD 1795 AND UL STD 73
CERTIFIED TO CSA C 22.2 NO. 218.1
AND CAN/CSA C 22.2 NO. 68
 LISTED
E4277221



Wall Drain: Flex drain pipe extended 2ft from the back of the basin
Floor Drain: Drain pipe & bushing extended 3\"/>



Wall Drain (Pump)



1-5/16\"/>

Floor Drain



Drain Pipe - 1-1/2\"/>