

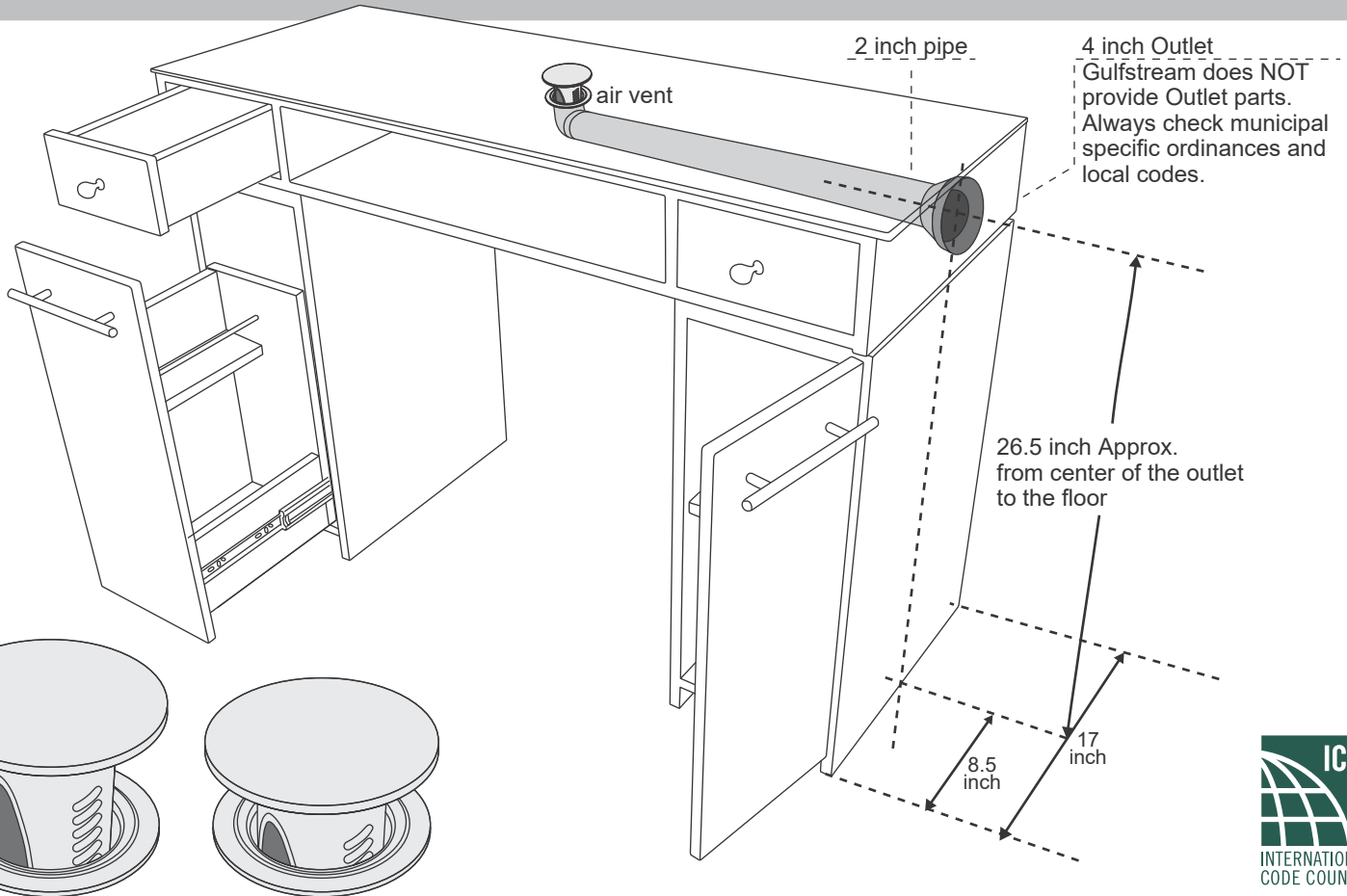
# Built-In, Adjustable GULFSTREAM Air Vent System

for Single Nail Tables (Side Ventilation Outlet)

**GULFSTREAM Air Vent System** provides room purification, can minimize inhalation exposure and reduce the health risk of your customers and salon technicians.

**GULFSTREAM Air Vent System** improves indoor air quality with two built-in, adjustable ventilation valves.

This system is available in some products.



## ICC Minimum Ventilation Rates

Occupancy Classification:	Beauty and Nail Salons
People Outdoor Airflow Rate in Breathing Zone, <b>cfm/person:</b>	20
Default Occupant Density, <b>#/1000 ft<sup>2a</sup>:</b>	25
Area Outdoor Airflow Rate in Breathing Zone, <b>R<sub>A</sub> cfm/ft<sup>2a</sup>:</b>	0.12
Exhaust Airflow Rate, <b>cfm/ft<sup>2a</sup>:</b>	0.6

- Mechanical exhaust is required and recirculation is prohibited except that recirculation shall be permitted where the resulting supply airstream consists of not more than 10 percent air recirculated from these spaces.

- For nail salons, the required exhaust shall include ventilation tables or other systems that capture the contaminants and odors at their source and are capable of exhausting a minimum of 50 cfm per station.

**Source:** IMC Sec 502.20 Manicure and Pedicure Stations. Manicure and Pedicure Stations shall be provided with an exhaust system in accordance with T 403.3.1.1, Note h... \*

\* Note h is as follows: "For nail salons, each manicure and pedicure station shall be provided with a source capture system capable of exhausting not less than 50 cfm per station..."

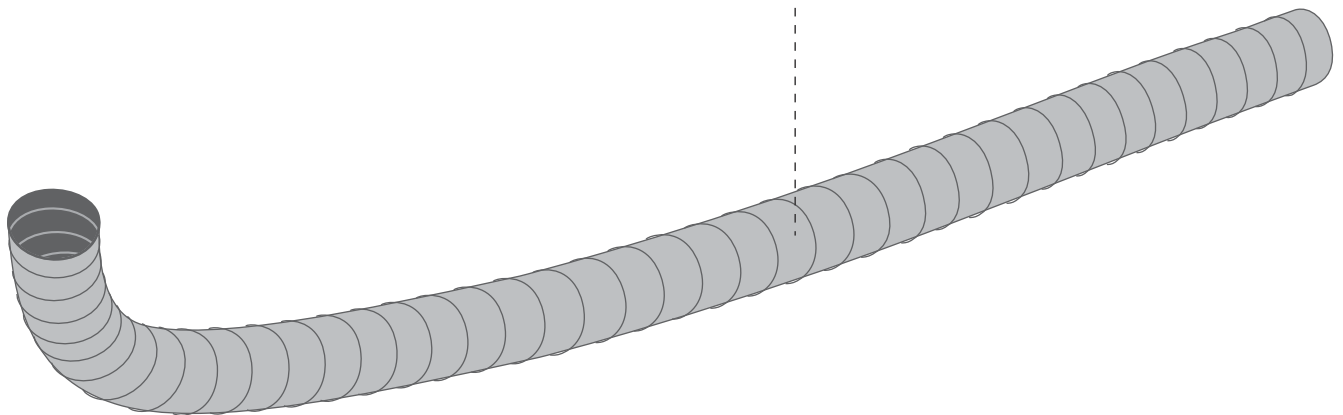
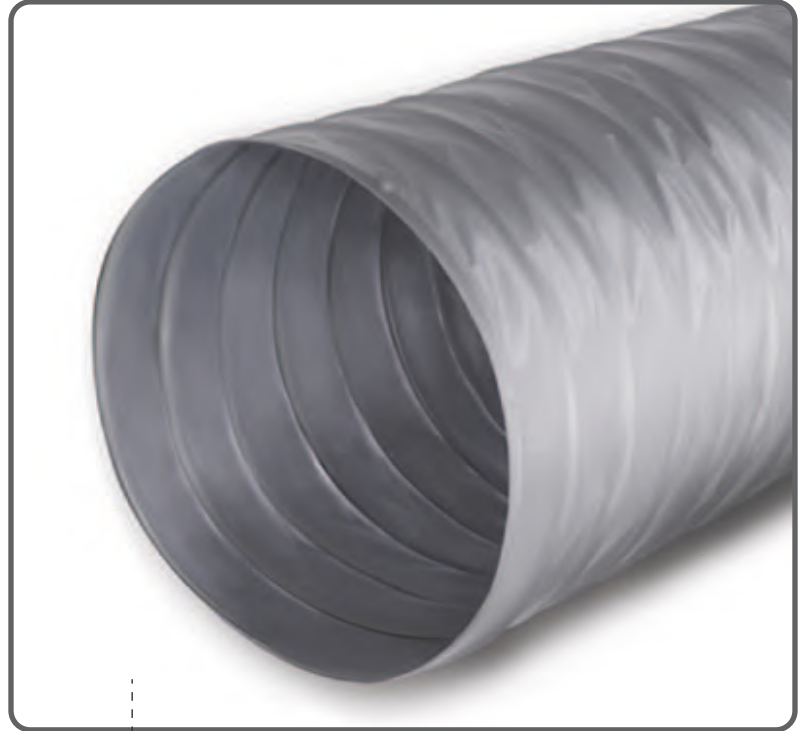
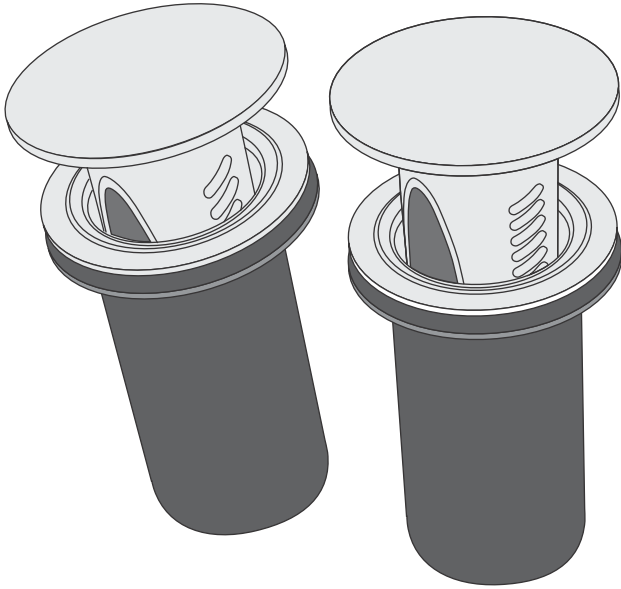
**Disclaimer:** Always check municipal specific ordinances and local codes.





# GULFSTREAM Air Vent System Hose Specification

*for Single Nail Tables (Side Ventilation Outlet)*



Listed by UL Lab Inc under UL Standard 181 as a class 1 connector and complying with NFPA standards 90A+90B.

