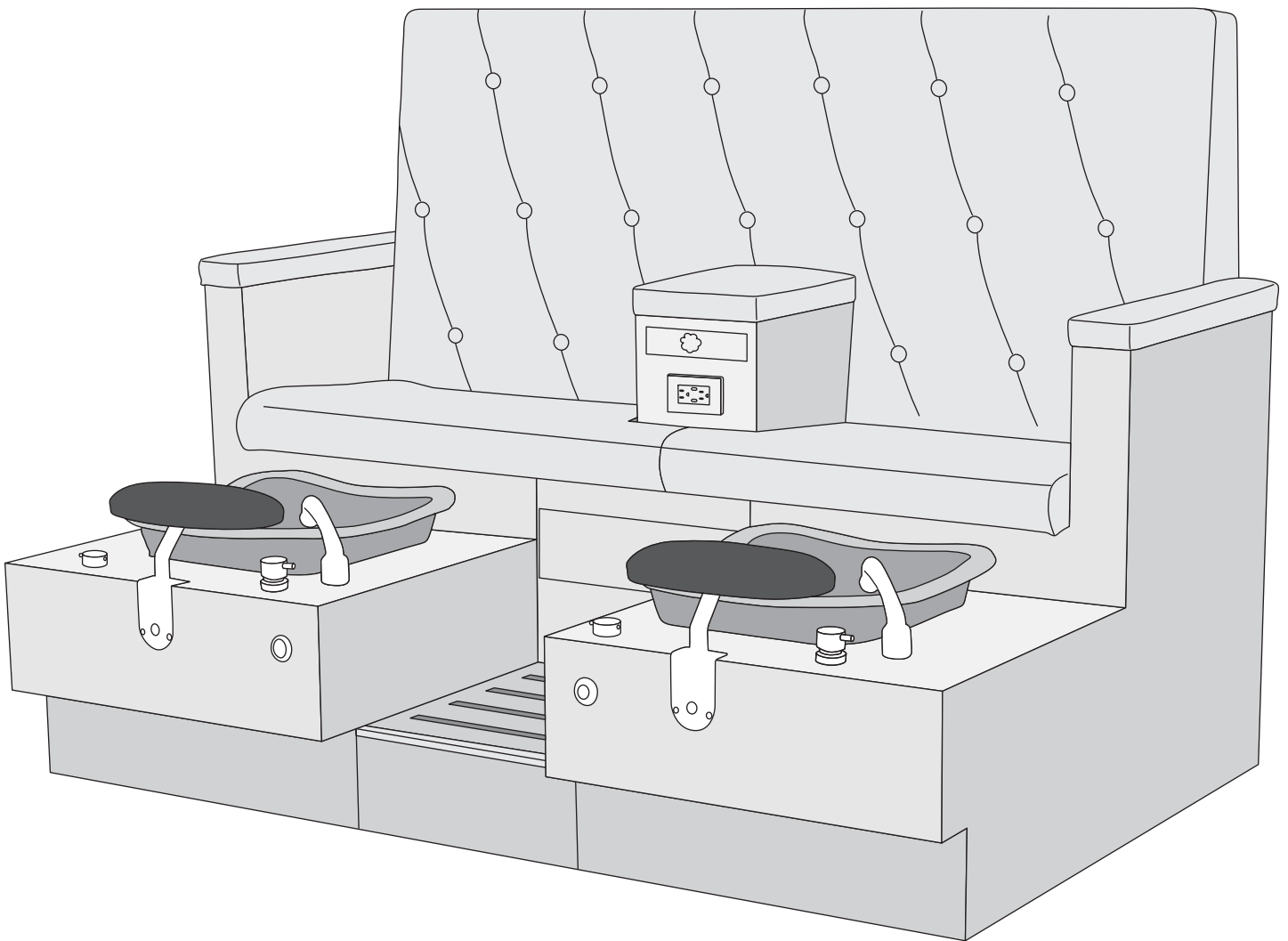
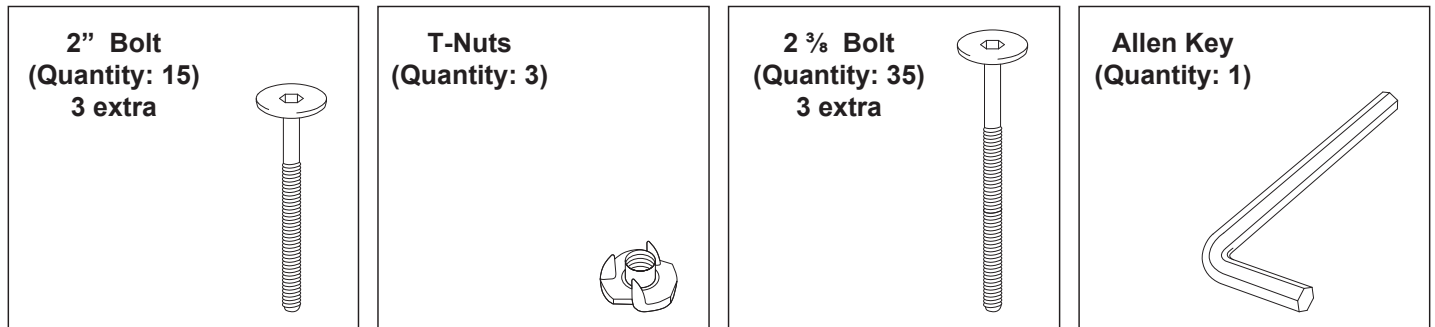


SINGLE, DOUBLE, TRIPLE VIENNA BENCH ASSEMBLY INSTRUCTIONS

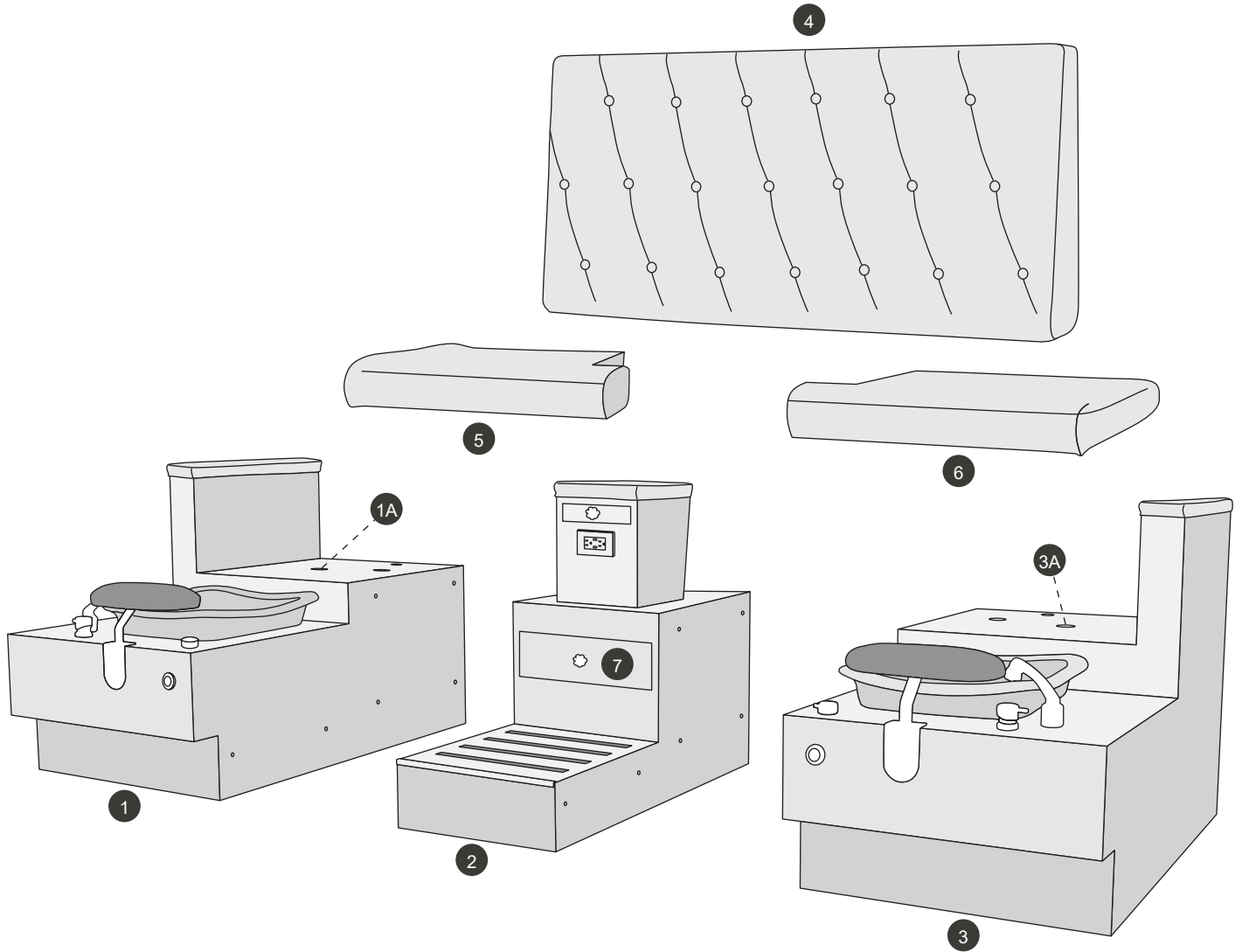


Gulfstream

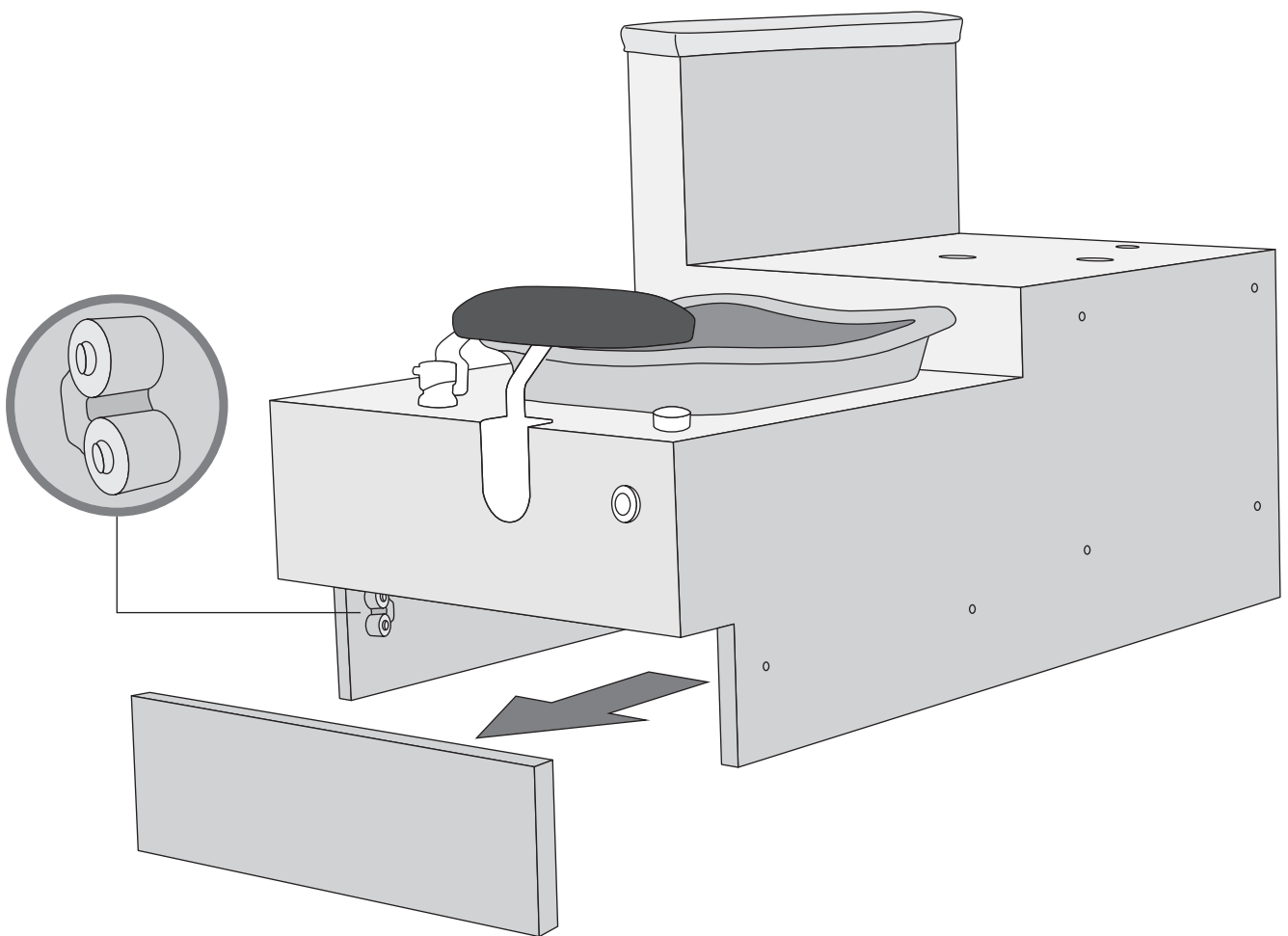
Included Hardware for Double Bench**Important Safety Instructions**

Obey the following warnings:

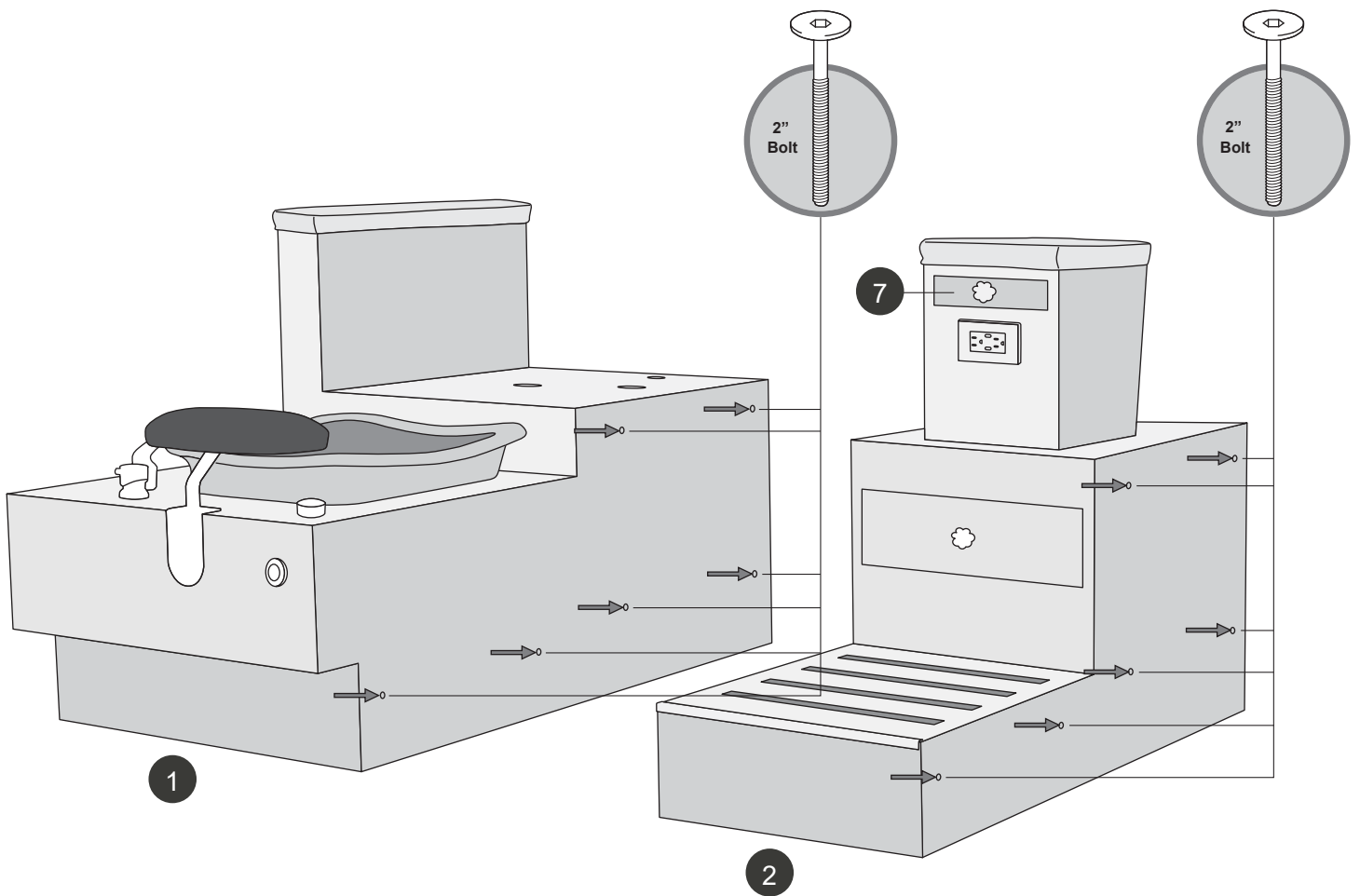
- Keep by standards and children away from the product you are assembling at all times.
- Do not connect power supply to the machine until instructed to do so.
- Do not assemble this machine outdoors or in a wet or moist location.
- Make sure assembly is done in an appropriate work space away from foot traffic and exposure to bystanders.
- Some components of the machine can be heavy or awkward. Use a second person when doing the assembly steps involving these parts. Do not do steps that involve heavy lifting or awkward movements on your own.
- Set up this machine on a solid, level, horizontal surface.
- Do not try to change the design or functionality of this unit. This could compromise the safety of this unit and will void the warranty.
- Do not use until the unit has been fully assembled and inspected for correct performance in accordance with the Owner's Manual.
- Read and understand the complete Owner's Manual supplied with this machine before first use. Keep the Owner's and Assembly Instructions for future reference.
- Do all assembly steps in the sequence given. Incorrect assembly can lead to injury or malfunctioning of the machine.



Position unit 2 into correct area and attach unit 1 and 3.

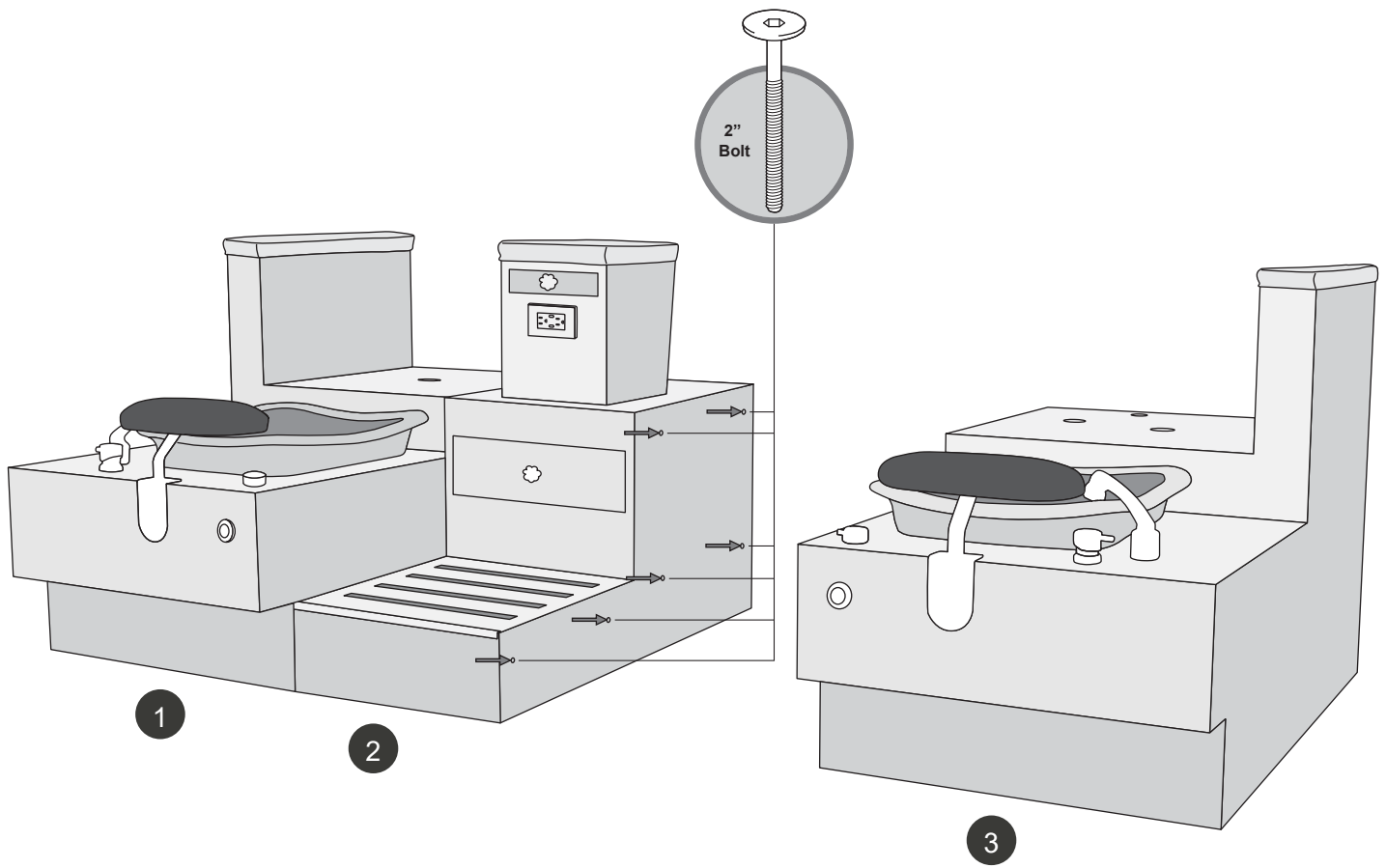


Easy access for plumbing with the removable toe kick.

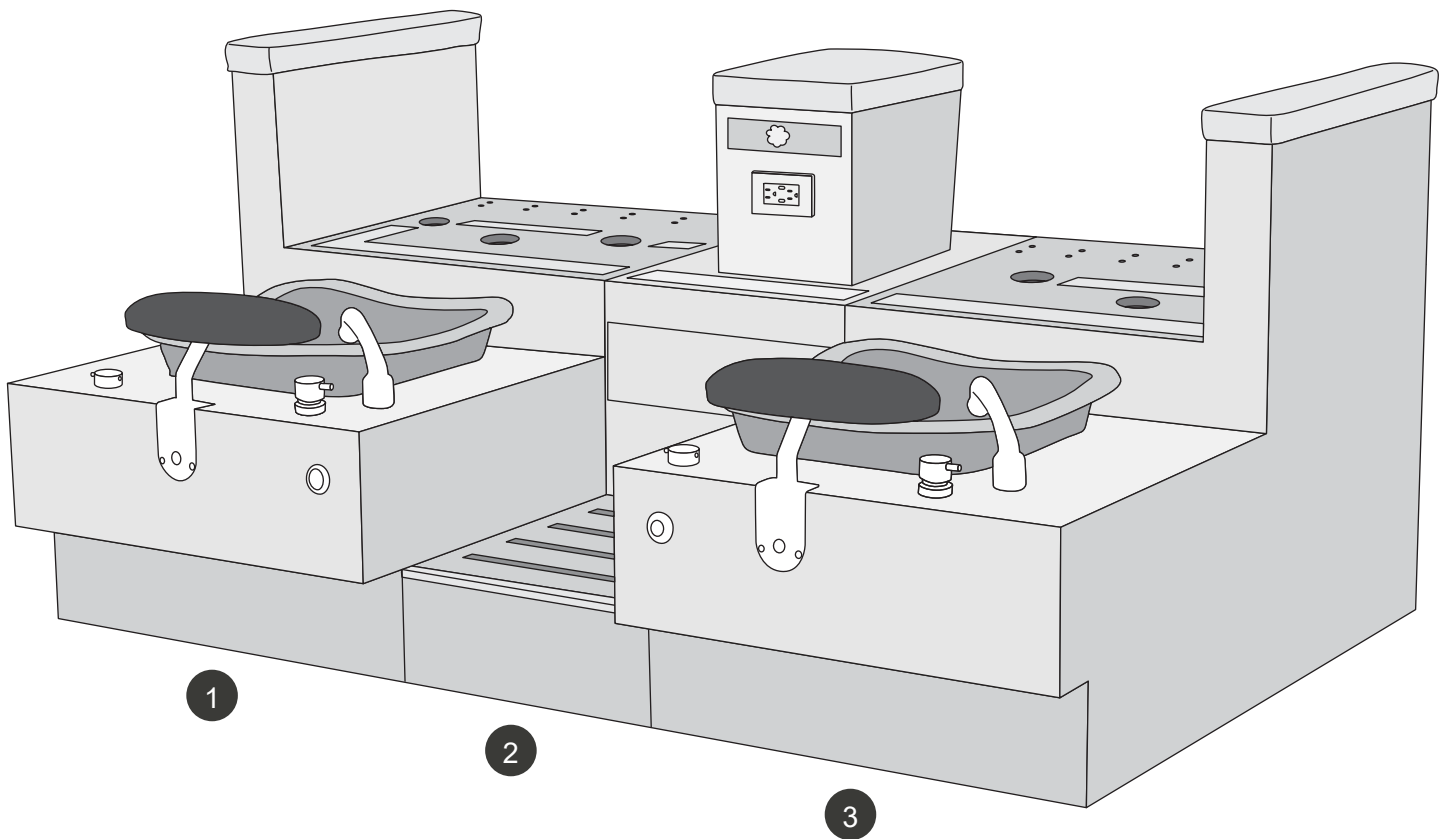


The hardware to install units is found in the storage drawer (7).

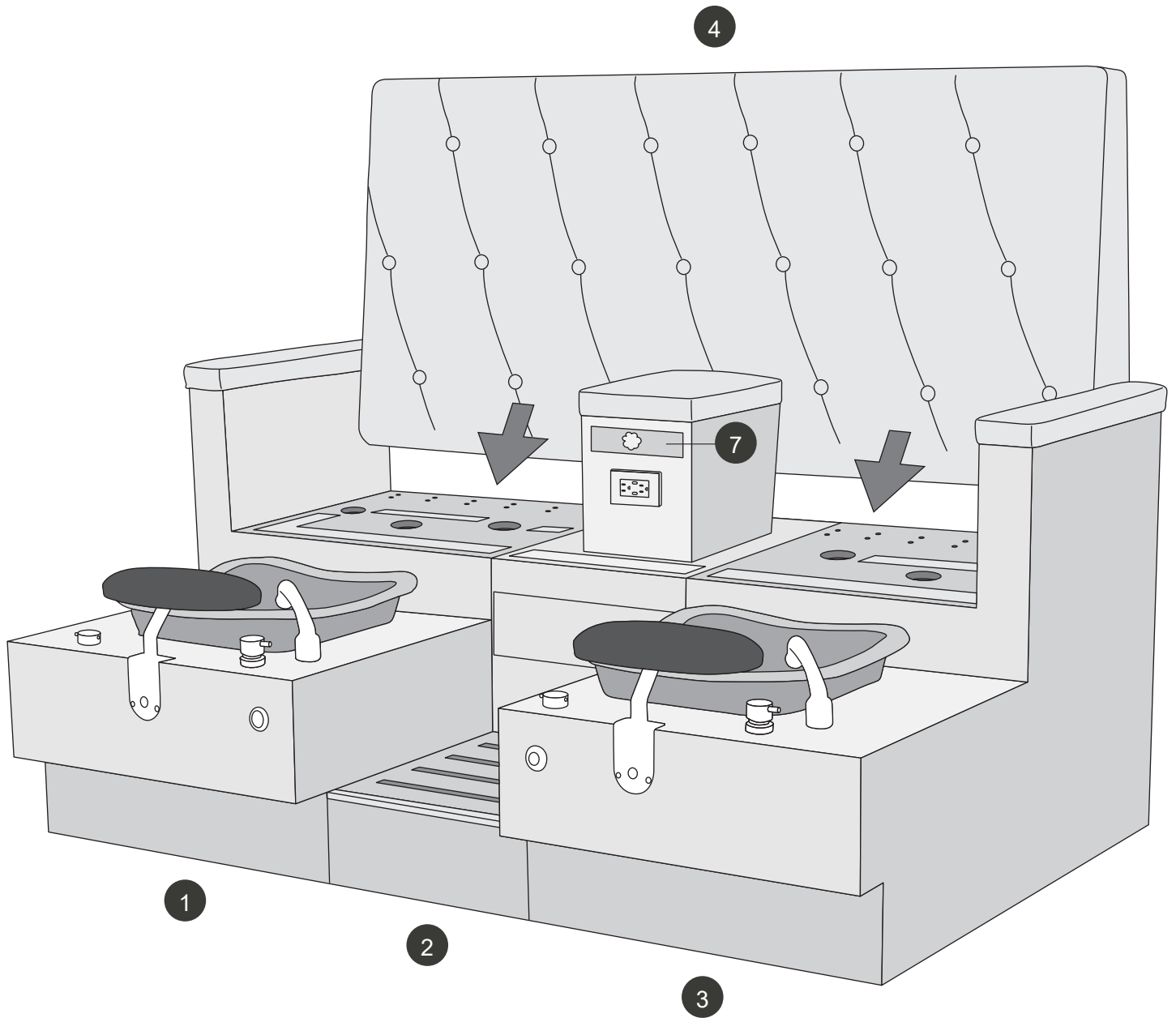
Six 2" bolts are needed to install (1) and (2). 2" bolts go from sink side to step. T nuts on inside.



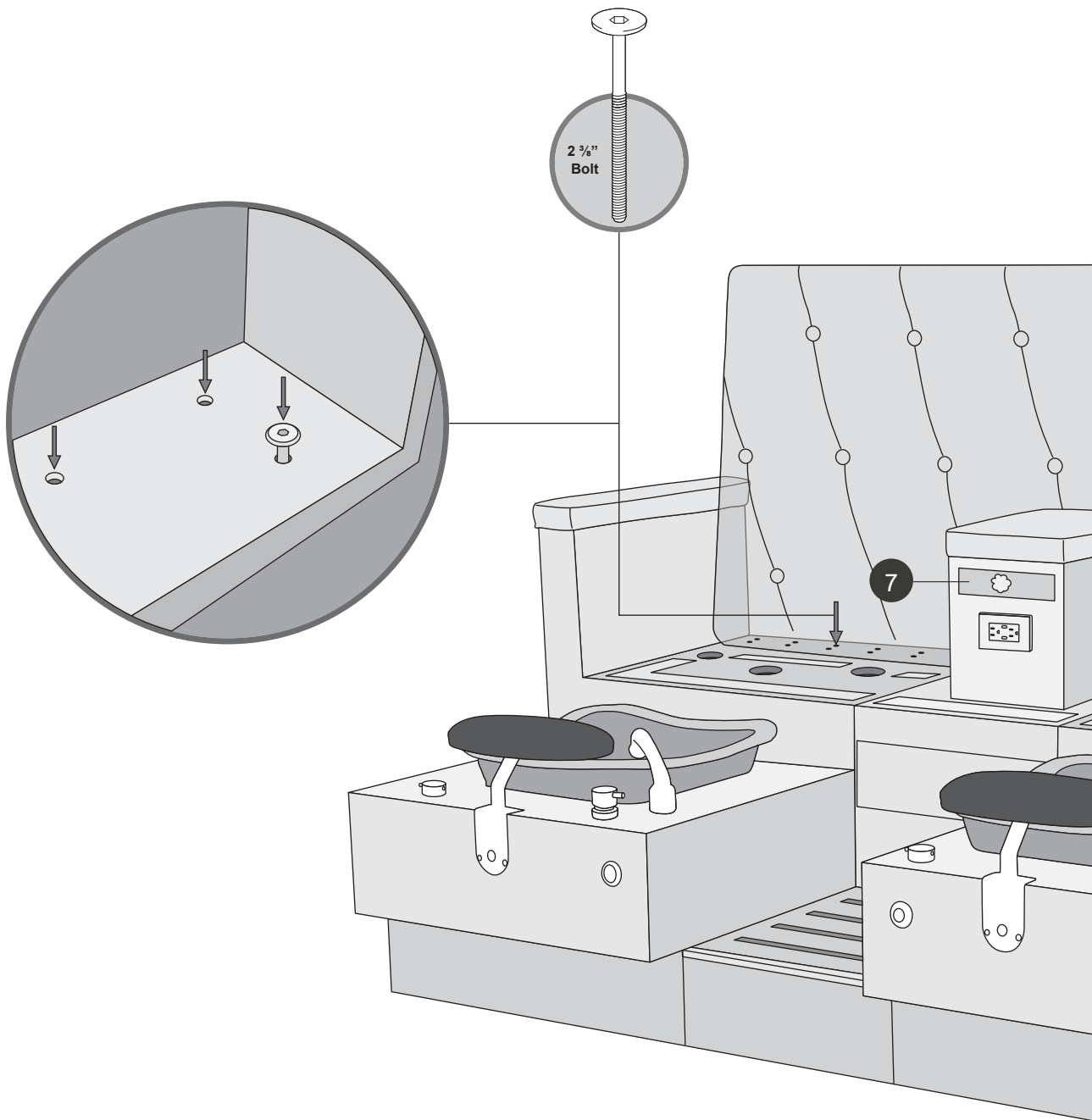
Install the final side (1-2) and (3) on Vienna Bench to the center console.



Check front fully assembled and secure.

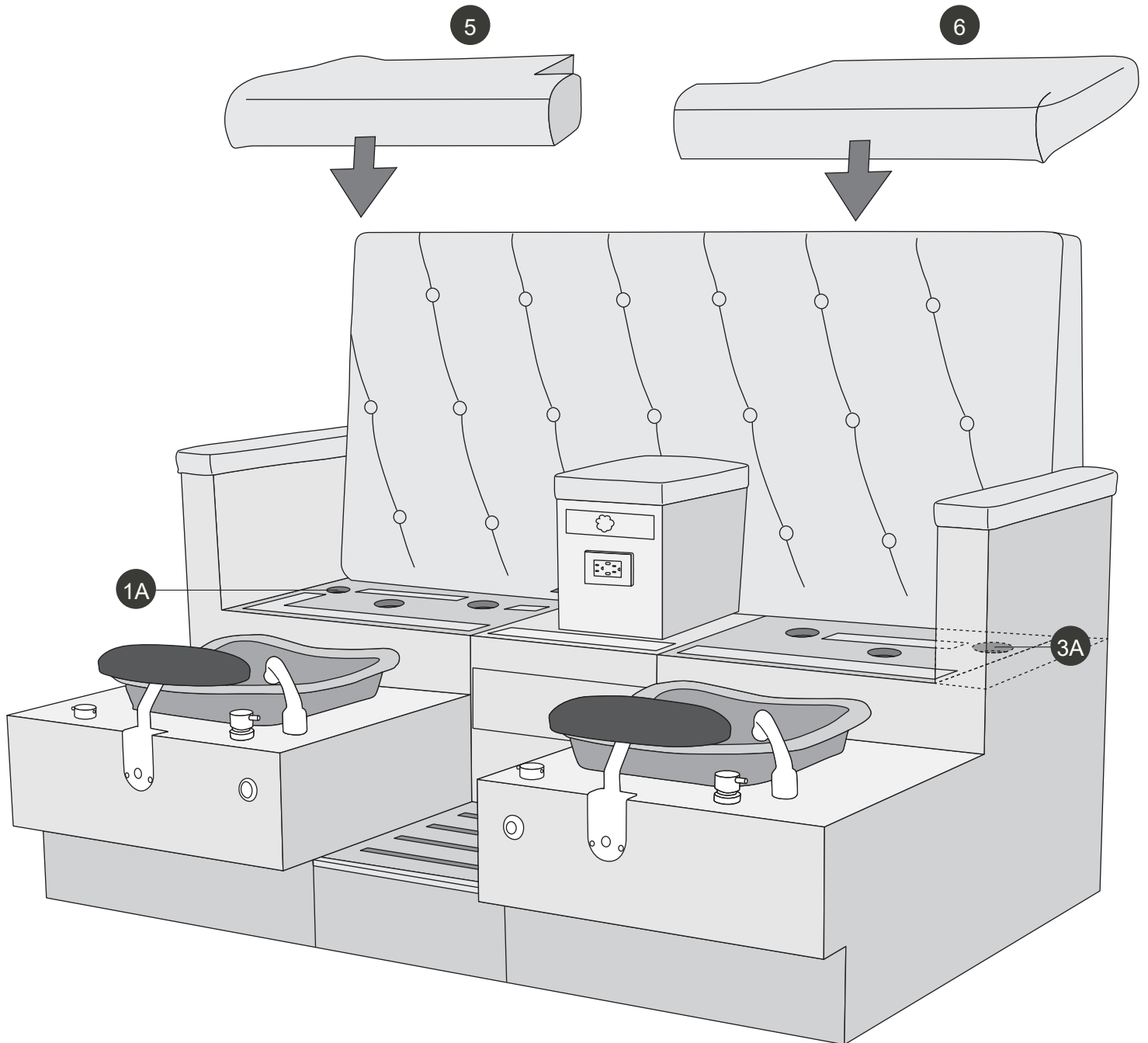


Place (4) the backrest to (1), (2) and (3) units. The hardware to install units is found in the storage drawer (7).



Attach (4) backrest to (1), (2) and (3), with 32 bolts for a double unit and 15 for a single unit (2 $\frac{3}{8}$ " bolts).

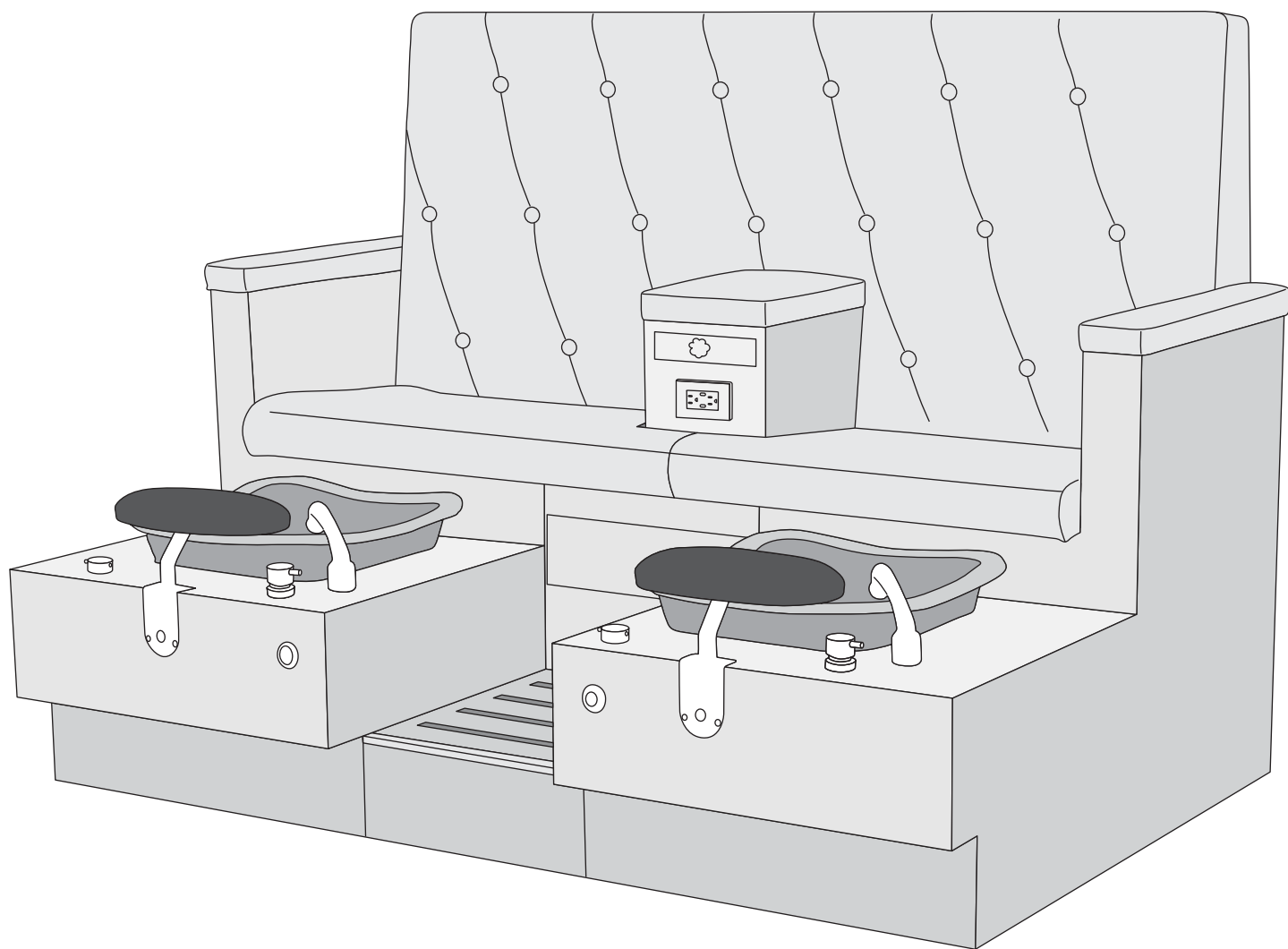
The hardware to install units is found in the storage drawer (7).



The massage wire on Vienna Seats must be fed through hole on (1A) and (3A).

The massage wires found under the seats (5) and (6).

The seats are velcroed, so make sure it is attached properly and securely.



The electrical components to be hooked up in accordance with the owners manual.



Manufacturer of Luxurious Pedicure Spas,
High Quality Salon and Spa Furniture.

Gulfstream Inc.

Cambridge, Ontario, Canada N1R 5X5

Tel.: 519-622-0950

Fax: 519-622-6926

www.gulfstreaminc.com