

Chocolate SE-777

Pipe-less Whirlpool Spa



**BEFORE OPERATING THE UNIT, MUST CAREFULLY READ AND UNDERSTAND THIS MANUAL
RETAIN THIS MANUAL FOR FUTURE REFERENCE**

**CHOCOLATE SE PEDICURE SPA
OWNER'S MANUAL**

CHOCOLATE SE WHIRLPOOL SPA by ITC INTERNATIONAL TRADING, INC. USA

Table of Contents

Safety Instructions	2
Installation Summary	
Overall View	3
Front View with Chair	4
Side View with Chair	5
Side View & Back View	6
Location & Support/Plumbing Connections/Electrical Connections	7
Gravity Drain Diagram	8
Power Drain Diagram	9
Operation & Care Instructions	
Getting Started/Shutting Down/Maintenance	10
Cleaning Instructions	11
Specifications	12
Warranty Terms and Conditions	13
Seat Massage Instructions	See Attached Additional Operation Instruction

SAFETY INSTRUCTIONS

Always unplug massage from the electrical outlet immediately after using and before cleaning
The appliance should never be left unattended when plugged in
Unplug from outlet when not in use, and before replacing any part
Never operate this appliance if it has a damaged cord or plug
Keep the power cord from heated surfaces
Do not use this appliance outdoors
Never massage abdomen when pain is present or if you are pregnant
Do not massage any area of the body that is swollen, inflamed or covered with skin eruptions
Do not use this appliance if noise above normal sound is present

WARNING:

DO NOT PUT HANDS OR FINGERS NEAR THE MASSAGE MECHANISM OR ROLLERS WHILE IT'S RUNNING. TOUCHING THE MECHANISM CAN RESULT IN AN INJURY FROM THE ROLLERS SQUEEZING TOGETHER.

Those with the following conditions should not use this massage, if desired; user should consult with a physician prior to using this appliance:

- Malignant Tumor
- Pregnancy
- Heart Problem
- Back & Neck Pain
- Not in Good Conditions

CAUTION:

RISK OF ELECTRICAL SHOCK – ALL RECEPTACLES LOCATED WITHIN FIVE (5) FEET OF THIS DEVICE SHALL BE PROTECTED BY A GROUND-FAULT INTERRUPTER (GFI)

RISK OF ELECTRICAL SHOCK – CONNECT ONLY TO A PROPER GROUDED, GROUDING TYPE RECEPTACLE PROTECTED BY A GROUND-FAULT CIRCUIT INTERRUPTER (GFI)

RECEPTACLE OUTLETS SHOULD NOT BE USED AS A CONVENIENCE RECEPTACLES

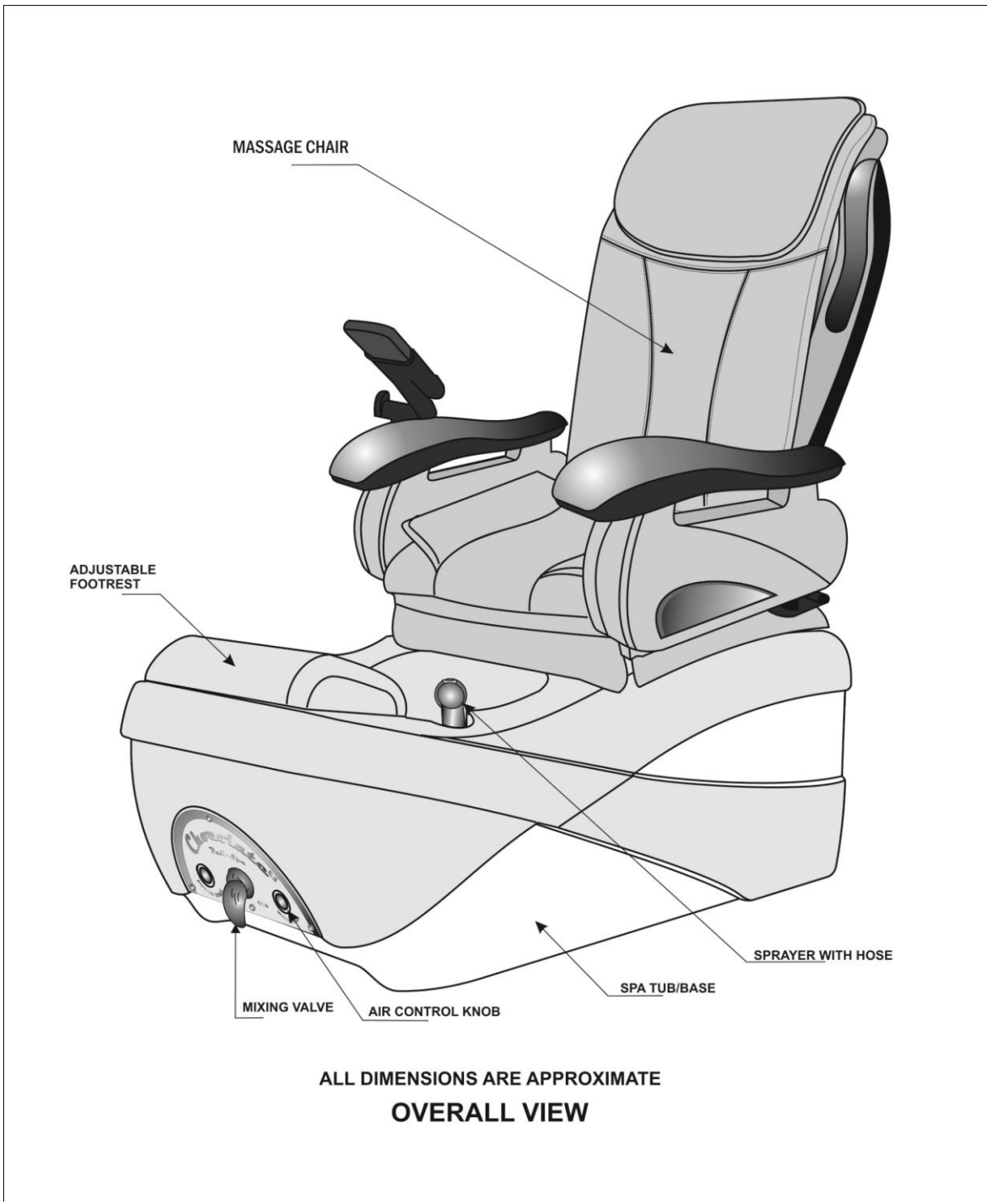
RATING: THIS UNIT IS RATED – 120 VOLTS 60 HZ

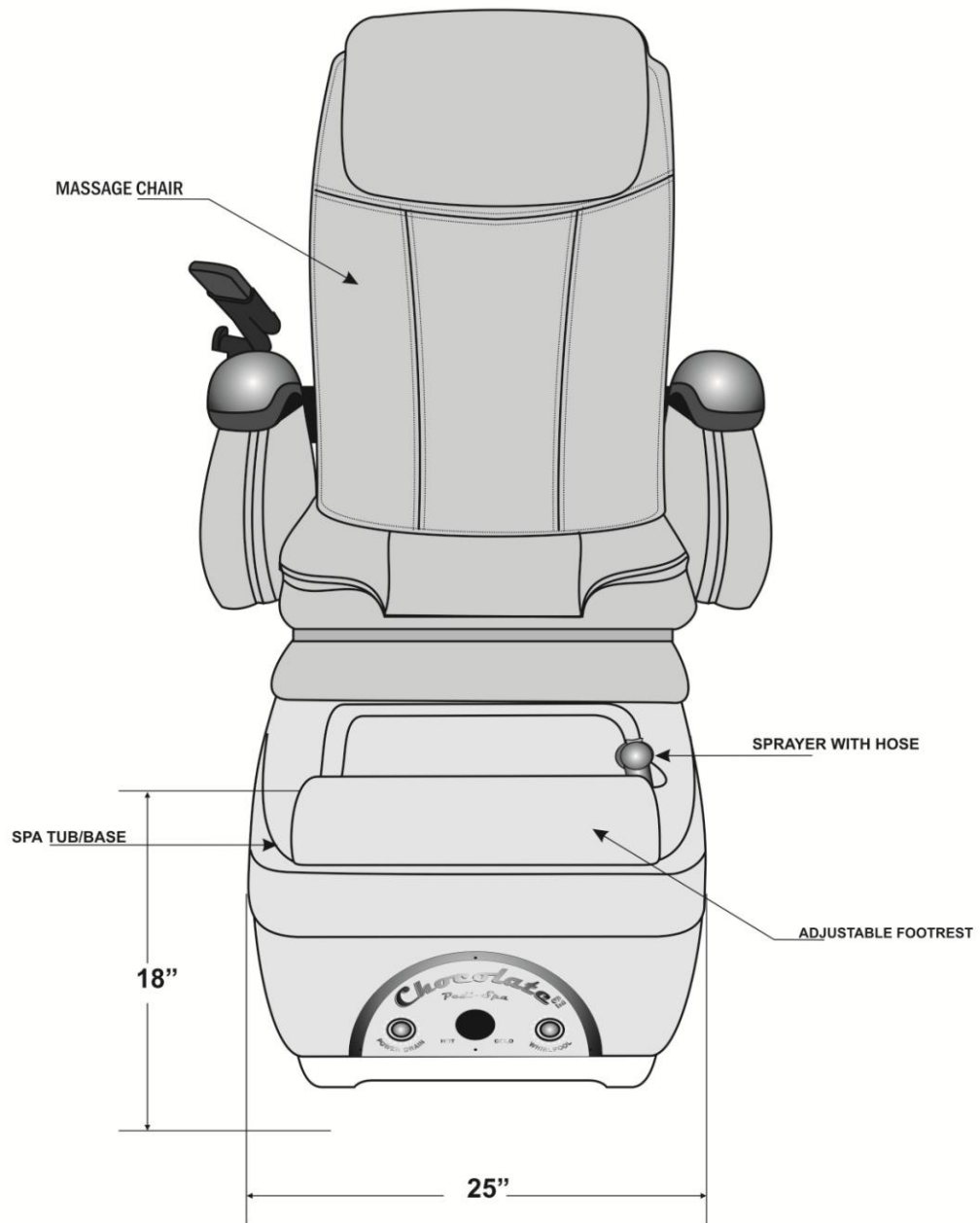
WARNING:

THIS PEDICURE WHIRLPOOL SPA MUST BE INSTALLED BY A QUALIFIED, LICENSED PLUMBER AND ELECTRICIAN. FAILURE TO COMPLY MAY RESULT IN A SERIOUS INJURY AND/OR WARRANTY WILL BE VOIDED.

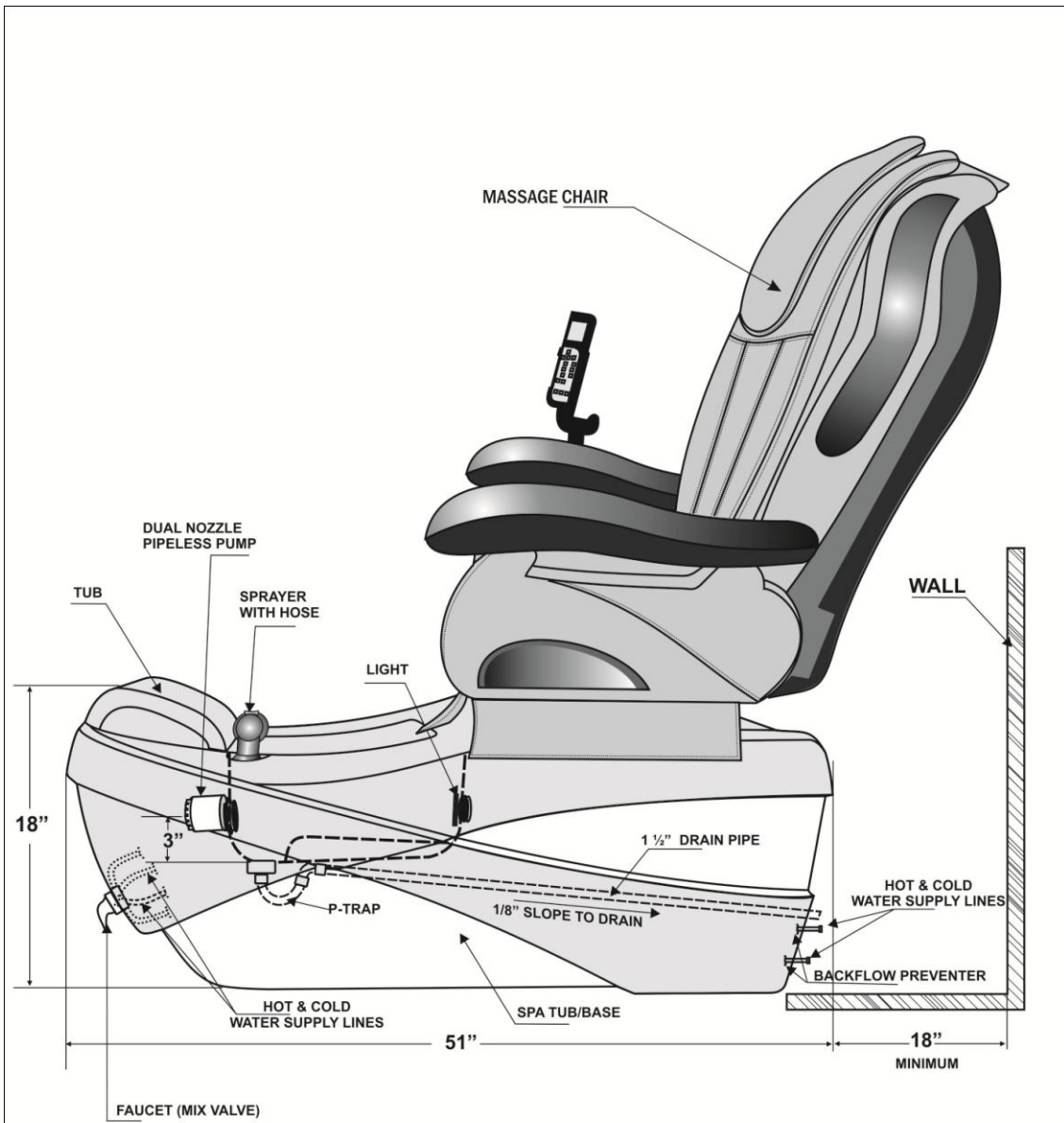
WARNING:

IMPROPER CONNECTION OF THE EQUIPMENT-GROUNDING CONDUCTOR CAN RESULT IN A RISK OF ELECTRONIC SHOCK CONSULT WITH A QUALIFIED ELECTRICIAN WHETHER THIS APPLIANCE IS PROPERLY GROUNDED. DO NOT MODIFY THE PLUG PROVIDED WITH THE PRODUCT.

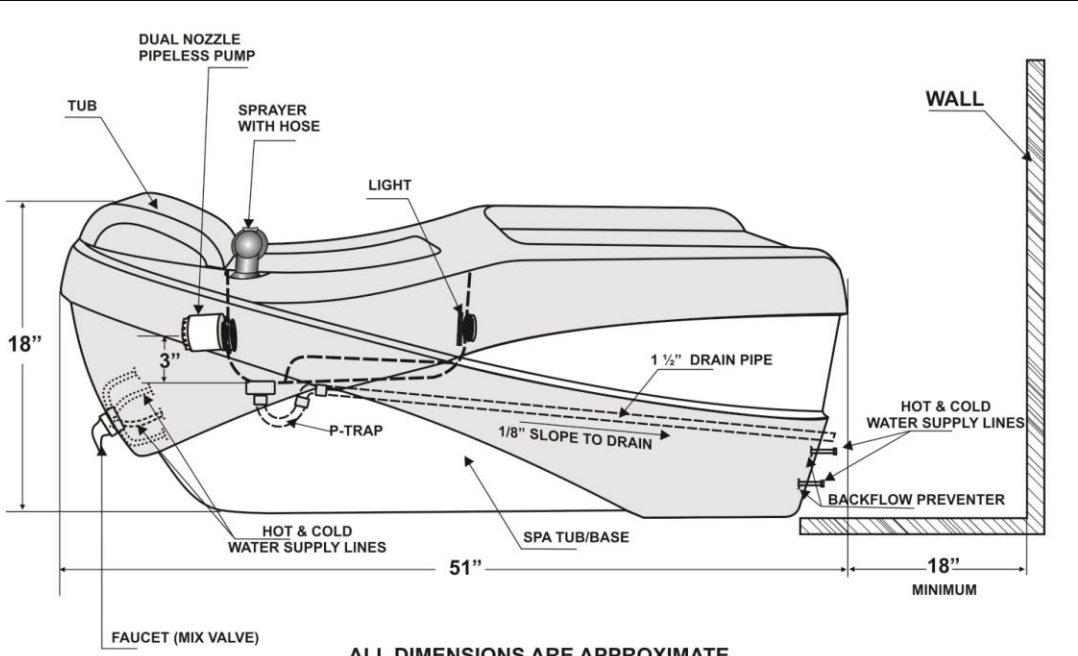




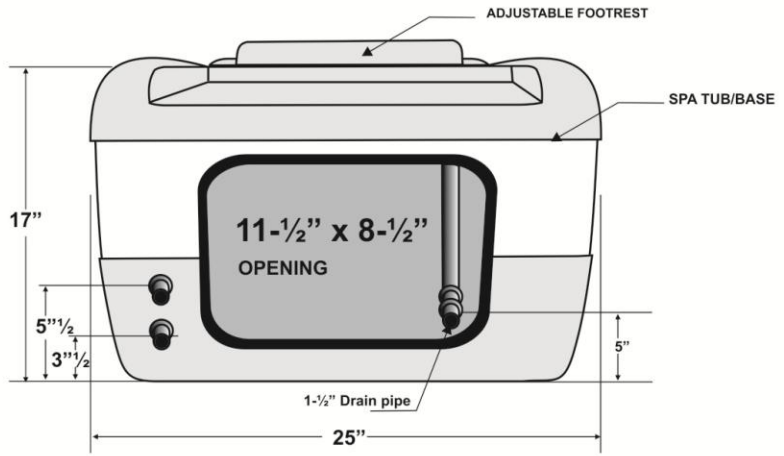
ALL DIMENSIONS ARE APPROXIMATE
FRONT VIEW WITH CHAIR



ALL DIMENSIONS ARE APPROXIMATE
 SIDE VIEW WITH CHAIR



ALL DIMENSIONS ARE APPROXIMATE
SIDE VIEW



ALL DIMENSIONS ARE APPROXIMATE
BACK VIEW

LOCATION AND SUPPORT CONSIDERATIONS

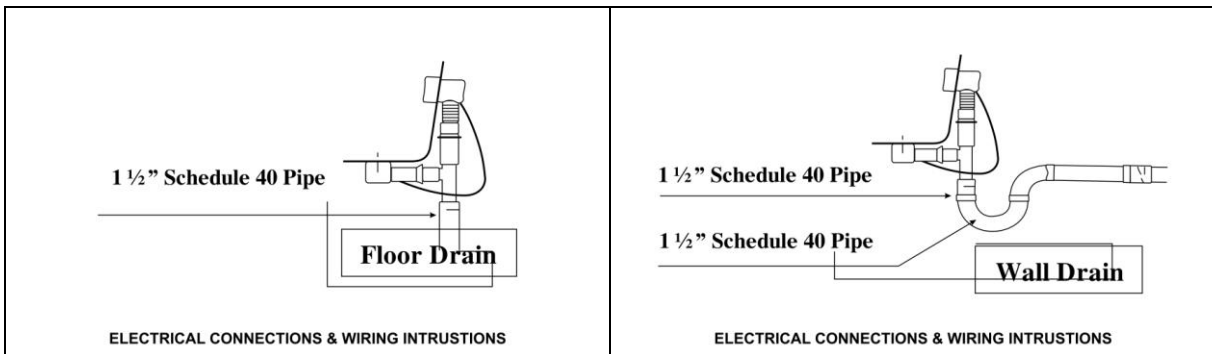
Select a level location where the floor structure beneath the Pedicure Spa is capable of supporting it.

NOTE: if one requires the seat back to recline to its maximum, the base of the Pedicure Spa must be a minimum of 18" (44 cm) clear from the back wall. If the distance is less, the seat back may still recline, however it will hit the back wall and damage the seat and/or the massage mechanism.

PLUMBING CONNECTIONS

All plumbing connections for drain and supply water **MUST** be performed by a qualified, licensed plumber in accordance with local plumbing and building codes

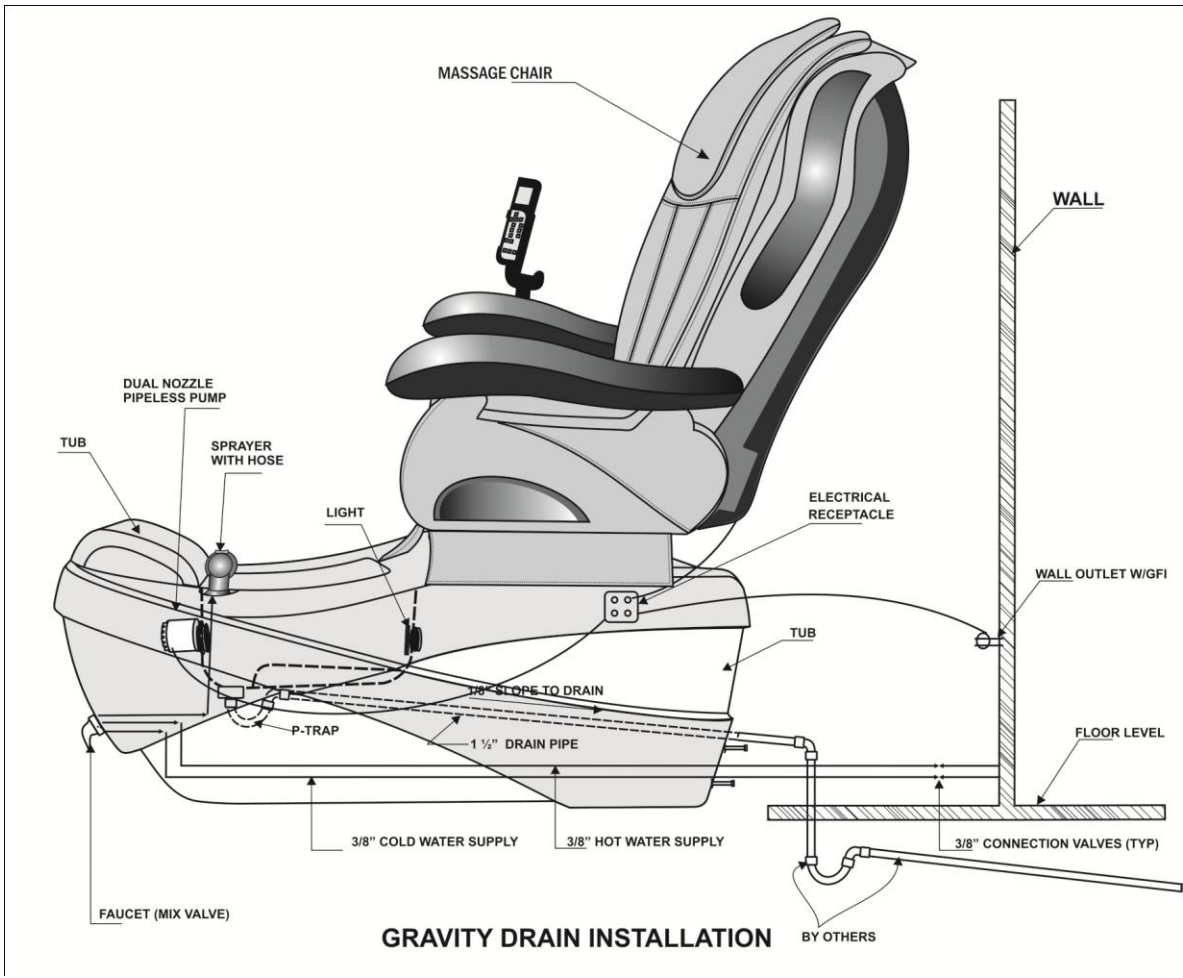
- A) **HOT AND COLD WATER SUPPLY LINES**
Carefully connect supply water to the ½" supply nipples (shut off valves should be utilized).
- B) **CONNECT DRAIN WITH DISCHARGE PUMP**
Using ¾" schedule 40 PVC drain pipe and appropriate traps to connect drain to meet local plumbing codes.
- C) **CONNECT DRAIN WITHOUT DISCHARGE PUMP**
Using 1-1/4" schedule 40 PVC drain pipe and appropriate traps, connect drain to meet local plumbing codes.
Attention: In some areas local codes require back-flow prevention to be installed in compliance with 248 CM



ELECTRICAL CONNECTIONS & WIRING INSTRUCTIONS

All electrical connections **MUST** be performed by a qualified, licensed electrician in accordance with local and building codes. A 15 Amp, GFCI protected grounded circuit **MUST** be used to supply power to the Pedicure Spa. A dedicated circuit must be provided with a GFCI. All wiring must conform to National & Local Electrical Codes.

IT IS EXTREMELY IMPORTANT THAT THE PEDICURE SPA OPERATES WITH A GFCI PROTECTION OPERATION & CARE INSTRUCTIONS



Warning: Pedicure spa must be installed by a qualified, licensed plumber and electrician. Failure to comply may result in serious injury and/or warranty will be voided.

GETTING STARTED

- 1) Turn drain control knob and make sure the water stopper is tightly closed
- 2) Turn on faucet (mixing valve) handle to fill water into tub as a minimum necessary water level (1/2" above jet)
- 3) Push/press air switch button to turn on jet(s)
- 4) Adjust jet's water pressure to a desirable flow

IMPORTANT NOTE

At no time must the jet and/or water discharge pump be turned on when the system is out of water, as damage may occur, causing jet and/or water discharge pump to burn- out. Such damage is not covered by warranty.

DO NOT use excess amount of solution to include but not limited to: soap or pedicure solution(s) etc, as high reaction turbulence often caused excessive foaming.

SHUTTING DOWN

- 1) Push/press air switch button to turn off jet(s)
- 2) Turn drain control knob and check water stopper is opened
- 3) If your spa has a water discharge pump, turn on to drain out water (remember to turn off pump)
- 4) Sanitize tub per local and state requirements

IMPORTANT NOTE

Water discharge pump must be turned **OFF** after water had drained out. **DO NOT** let it runs dry.

MAINTENANCE

A quick sponge-down with warm water and a liquid detergent such as Mr. Clean, Fantastic, and Lysol, bathroom and/or tile cleaner will take care of most cleaning needs. In areas where the water is hard, more frequent cleaning will be necessary to avoid a build-up on the tub surface.

A good quality car or boat wax to be applied occasionally will preserve the glossiness and will help the cleaning a lot easier.

CAUTION

DO NOT DROP HARD, HEAVY OBJECT ON SPA TUB SURFACE
DO NOT USE ROUGH/HARD CLEANING DEVICE(S) TO SCRUB DOWN SPA TUB SURFACE
ONLY USE SOFT TOWEL TO CLEAN SPA TUB
ALWAYS FOLLOW YOUR LOCAL/STATE CLEANING INSTRUCTIONS (IT'S THE LAW)

PROCEDURES FOR CLEANING AND DESINFECTION PIPE-LESS FOOT SPAS

Please comply with your state board cleaning and disinfecting procedures

- a) "Pipe-less" foot spa is defined as any unit with footplates, impellers, impeller assemblies and propellers.
- b) After use upon each patron, each foot spa shall be cleaned and disinfected in the following sequential manner:
 - 1) All water shall be drained from the spa basin
 - 2) Remove jet cover by turning counter-clockwise
 - 3) Scrub all visible residues from the impeller, inside walls of the basin, and/or other components and the areas behind or under each with a clean brush and liquid soap (labeled as such on soap product) and water. Rinse with clean water
 - 4) Reinsert the properly cleaned jet cover
 - 5) Refill the basin with clean water and circulate the correct amount (read the label for mixing instructions) of the EPA-registered hospital-liquid disinfectant which the label claims is a bactericide, fungicide, and virucide, through the basin for at least 10 minutes
 - 6) Drain, rinse and wipe the basin dry with a clean paper towel
 - 7) Record this procedure in a Pedicure-Cleaning Log. The log shall contain the date and time of each cleaning, initials of the person who completed the procedure, and shall indicate that the cleaning was done after a client
- c) At the end of each day and after performing the procedures provided in subsection (b) (1 through 7) and after the last client, each foot spa shall be cleaned and disinfected in the following sequential manner:
 - 1) Fill the basin with warm water and detergent (labeled as such on detergent product) and circulate the detergent through the spa system for at least 10 minutes (follow manufacture's instructions)
 - 2) Drain the detergent solution and rinse the basin
 - 3) Refill the basin with clean water and circulate the correct amount (read the label for mixing instructions) of the EPA-registered hospital-liquid disinfectant which the label claims is a bactericide, fungicide, and virucide, through the basin for at least 10 minutes
 - 4) Drain, rinse and wipe the basin dry with a clean paper towel
 - 5) Allow the basin to dry completely
 - 6) Record this procedure in a Pedicure-Cleaning Log. The log shall contain the date and time of each cleaning, initials of the person who completed the procedure, and shall indicate that the cleaning was done after at the end of the day
- d) At least once each week, after completing the procedures provided in subsection (c) (1 through 3), and the disinfectant solution in each foot spa shall not be drained and the following sequential procedures shall be followed:
 - 1) The unit shall be turned off and the disinfecting solution shall be left in the unit undisturbed for 6 to 10 hours
 - 2) After the disinfectant solution has been sitting between 6 to 10 hours, rinse and wipe the basin dry with a clean paper towel
 - 3) Record this procedure in a Pedicure-Cleaning Log. The log shall contain the date and time of each cleaning, initials of the person who completed the procedure, and shall indicate that the cleaning was done weekly
- e) The pedicure-cleaning log shall be made available upon request by either a patron or a board representative
- f) A violation of this section may result in an administrative fine and/or disciplinary action. Each foot spa not in compliance with this section may result in a separate violation

SPECIFICATIONS

BASE (TUB)

DIMENSION:	54" L X 26" W X 18" H
TUB CAPACITY:	5 GALLONS
WATER DISCHARGE PUMP (optional):	115V/60HZ
OPERATING VOLTAGE:	120V 1.5AMP 60 HZ
PIPELESS-JET:	1.25A@115VAC , 0.1HP
WEIGHT:	190 LBS.
ACCESSORIES:	PEDICURIST STOOL

CHAIR

MASSAGE ROUTE:	450M/M
RECLINING ROUTE:	110 – 140 DEGREES
POWER:	AC 120V/60HZ
RATED TIME:	10/20/30 MINUTES
DIMENSION:	44" L X 32" W X 18" H
WEIGHT:	110 LBS.

LIMITED WARRANTY

Manufacturer warrants this product against defects in material or workmanship as follows:

- 1) LABOR: For a period of one (1) year from the date of purchase, if this product is determined to be defective, the manufacturer will repair the product at no charges, after the warranty period, the consumer must pay for all labor charges.
- 2) PARTS: In addition, the manufacturer will supply at no charge new or rebuilt replacement in exchange for defective part(s) for a period of one (1) year from the date of purchase. After the warranty period, the consumer must pay for all part costs.

To obtain mentioned warranty service, the customer must take the product, or deliver the product with freight prepaid to an authorized location. This warranty does not cover customer instruction, installation, set up adjustments, and damage due to improper or maintenance, connection to improper plumbing supply, or attempted repair by anyone other than facility authorized by ITC International Trading, Inc. to service the product. This warranty is valid only in the continental of United State of America.

Proof of purchase in the form of Bill of Sale, Receipt, Invoice which is evidence that the unit is within the warranty period must be presented to obtain warranty service. This warranty is null and void if the spa is not installed in accordance with federal, state and local codes and ordinances. Furthermore, this warranty does not apply if the spa has been subject to misapplication, improper installation or maintenance, negligence or other circumstances beyond ITC's control

NOT COVERED:

- Staining, fading or discoloration of the seat, armrest and/pr footrest upholstery
- Staining, fading or discoloration of plastic surfaces due to exposure and/or the use of harmful cleaning agents or chemicals
- Damage of plumbing parts and/or tub components due to obstruction in plumbing installation
- Damage resulting from standing in the basin
- Freight damage, neglect, natural disaster, misuse, accident and/or abuse
- Repairs without authorization by ITC

Should service be required for any reason of any defect or any malfunction during the warranty period, please contact:

Office #	(714) 896-6768
Toll Free #	(888) 881-8222

WARRANTY IS NULL & VOID IF SPA IS NOT SECURELY FASTENED TO FLOOR