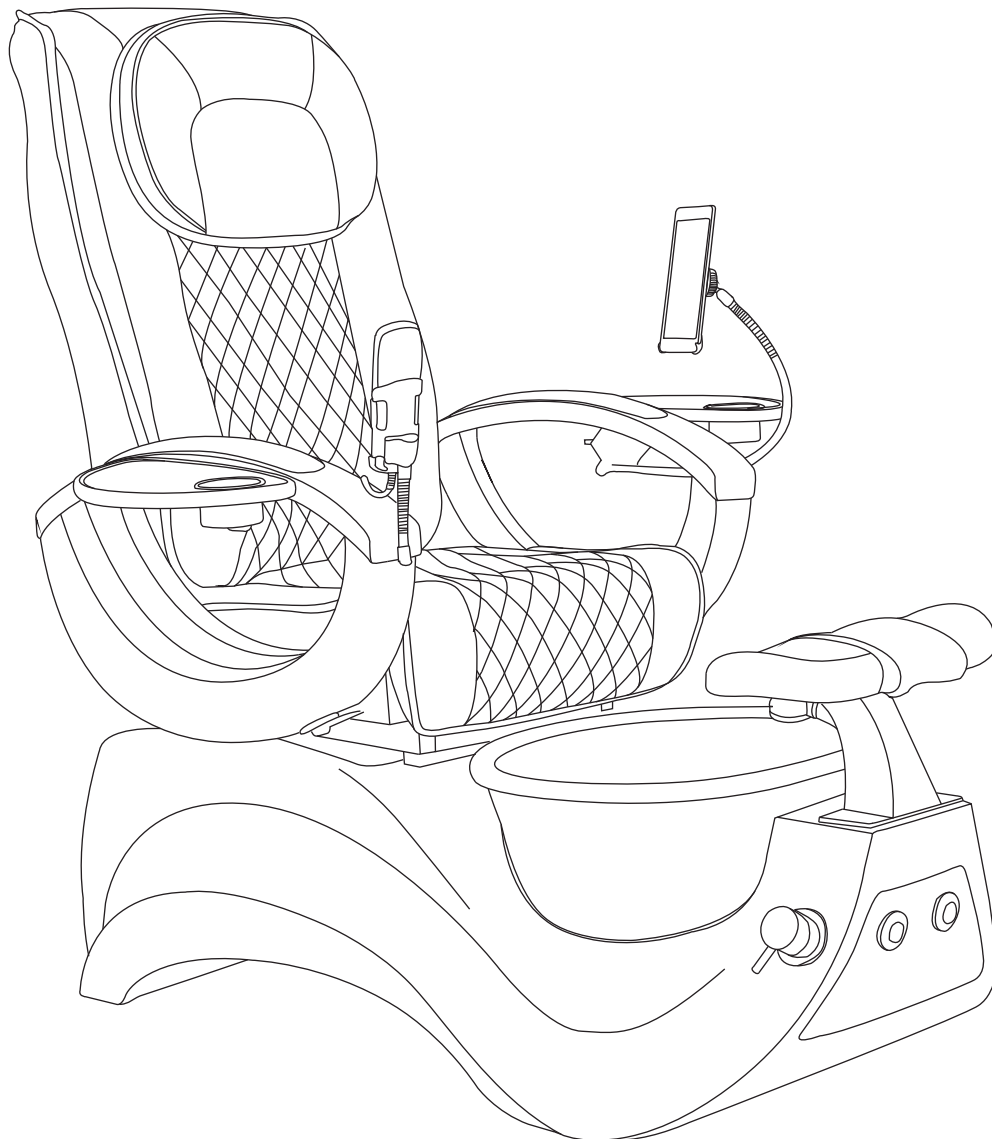




# OWNER MANUAL

PLEASE SAVE THIS MANUAL FOR FUTURE REFERENCE

## *Alden Crystal*



# Table of Contents

## Owner Manual

Limited Warranty .....	3
Safety and Precautions .....	4-5
Pipeless Jet Cleaning .....	6
Pedicure Components .....	7-8
Clearances .....	9
Installations .....	10
Jet Removal .....	11
Plumbing Connections .....	12

Whale Spa, Inc. ("Whale Spa") conditionally warrants your pedicure spa (the "Pedicure Spa") in accordance with the terms and conditions set forth below for a period of two (2) years commencing on the original date of shipment of the Pedicure Spa to you. The warranty only applies to the Pedicure Spa's original end-user owner or customer (the "Customer"). This Conditional Warranty is non-transferable and replaces any warranties previously published by Whale Spa.

If examination of the Pedicure Spa by Whale Spa during the applicable warranty period shows it to have a defect in material or workmanship, Whale Spa will, at its option, repair or replace the defective component or part thereof. Further, Whale Spa may, at its discretion, replace a defective component or part with a refurbished component or part, or may replace the Pedicure Spa with a refurbished pedicure spa. If Whale Spa elects to replace the Pedicure Spa, the replacement pedicure spa must be comparable in style and size to the Pedicure Spa. The Customer shall bear all charges incurred for the shipment to it of replacement components or parts, or a replacement pedicure spa, and the cost of all labor incurred in repairing defects in the Pedicure Spa or repairing or replacing any of its defective components or parts. The forgoing limited warranty does not apply:

- to the Pedicure Spa, or any components or parts thereof, if subjected to misuse or neglect or if accidentally or intentionally damaged.
- to the Pedicure Spa, or any components or part, if altered or modified in any way.
- to any expenses incurred by the Customer or any third party, including labor or material, during investigation, removal or reinstallation of the Pedicure Spa or any defective components or parts.
- to any damage to or impairment of the Pedicure Spa, or any components or parts thereof, caused by any casualty, including without limitation, accident, fire, wind, floods, acts of nature or attempted theft.
- to any workmanship of a fabricator (other than Whale Spa) or installer of the Pedicure Spa.
- if damage to pump parts and/or motor parts is due to obstructed plumbing.
- if the Pedicure Spa is removed from its place of initial installation.
- to staining, fading, or discoloration of any portion of the Pedicure Spa caused by water additives or improper water treatment.
- to staining, fading or discoloration of the Pedicure Spa's upholstered seat, armrests or footrests.
- to malfunctions or damage caused by improper installation of the Pedicure Spa, including, but not limited to, failure to meet local, state, or local plumbing, electrical and building codes.
- to damage resulting from a person standing in the Pedicure Spa's basin or other similar stress to that basin.
- to freight damage.
- to damage incurred to the Pedicure Spa while in possession of any party other than Whale Spa.

This forgoing conditional limited warranty is also conditional upon:

- the Pedicure Spa being installed by a licensed professional in accordance with Whale Spa's installation instructions.
- the proper use of cleaning and sanitizing solutions in accordance with the instruction labels provided by Whale Spa. Repeated use of concentrated chlorine or other chemicals will void this limited warranty.
- avoidance of the use of ionic detox machines that submit any metallic part to reverse electroplating; this use will destroy plated parts and void the warranty.
- shipment, if requested, to Whale Spa of Pedicure Spa parts or components thought to be defective. Parts or components may only be returned if authorized in advance by Whale Spa. All returns must be freight prepaid.
- determination by Whale Spa, in its reasonable discretion, that there exists a defect in material or workmanship. Repair or replacement of any part or component under this Limited Warranty, or furnishing a replacement pedicure spa, shall not extend the duration of the warranty with respect to such repaired or replaced part beyond the stated warranty period. When a part or component is replaced, it will be under warranty for 90 days, or for the remaining life of original warranty, whichever period is greater. Customer agrees by using the Pedicure Spa that:

• THE OBLIGATION OF WHALE SPA SHALL NOT EXTEND TO INDIRECT OR CONSEQUENTIAL DAMAGES OR INJURY WHICH MAY RESULT FROM SUCH USE

- that the obligations of Whale Spa are limited to those set forth herein • this warranty is limited to the original owner/end-user and is non-transferable • Whale Spa shall not be liable for any other obligations or liabilities, including, but not limited to: obligations or liabilities arising out of breach of contract or warranty, negligence, or other tort or any theory of strict liability with respect to the Pedicure Spa or parts or components thereof or any acts or omissions of Whale Spa.
- Any assistance Whale Spa provides to the Customer outside of terms, limitations, or exclusions of this limited warranty will not constitute a waiver of any of the foregoing terms, limitations, or exclusions, nor will such assistance extend or revive the warranty.

THIS LIMITED WARRANTY IS IN LIEU OF ALL OTHER WARRANTIES, EITHER EXPRESS OR IMPLIED, AND ALL SUCH OTHER WARRANTIES, INCLUDING WITHOUT LIMITATION, IMPLIED WARRANTIES OF MERCHANTABILITY OR FITNESS FOR A PARTICULAR PURPOSE, ARE HEREBY DISCLAIMED AND EXCLUDED FROM THIS LIMITED WARRANTY. NO DEALER OR OTHER PERSON HAS ANY AUTHORITY TO BIND WHALE SPA TO CHANGES OR ADDITIONS TO THIS WARRANTY OR ITS PRODUCTS. ACCORDINGLY, WHALE SPA IS NOT RESPONSIBLE FOR ANY SUCH OUTSIDE WARRANTIES OR REPRESENTATIONS. IN NO EVENT SHALL WHALE SPA BE LIABLE IN ANY WAY FOR ANY CONSEQUENTIAL, SPECIAL, OR INCIDENTAL DAMAGES OF ANY NATURE WHATSOEVER, OR FOR ANY AMOUNTS IN EXCESS OF THE SELLING PRICE OF THE PEDICURE SPA OR ANY COMPONENTS OR PARTS THEREOF FOUND TO BE DEFECTIVE. THIS LIMITED WARRANTY GIVES THE CUSTOMER SPECIFIC LEGAL RIGHTS. THE CUSTOMER MAY ALSO HAVE OTHER RIGHTS WHICH MAY VARY BY EACH JURISDICTION.

For troubleshooting visit: [whalespains.com/troubleshoot](http://whalespains.com/troubleshoot)  
Should your Pedicure Spa require service, please contact:

**Whale Spa – Technical Support**

1-888-650-7888

email: [info@WhaleSpa.net](mailto:info@WhaleSpa.net)

The Whale Spa pedicure chairs (herein referred to as pedicure spa) are innovative pedicure spas that have been designed to serve you dependably for many years. Please take time to thoroughly read this entire manual before installation and use. If you have any problems or have questions regarding your pedicure spa, please contact Whale Spa's Technical Support Department at 1-888-650-7888, Monday through Friday 10 AM to 6 PM PST.

Whale Spa requires that you contact a local, licensed plumber and licensed electrician to install your new pedicure spa.

Installation must be in compliance with all your local and state building codes. Your pedicure spa cannot operate efficiently or safely unless it is provided with adequate electrical power, sufficient water pressure, proper water temperature, and required drainage capabilities. Contact your local building inspector for information and local code compliance procedures that need to be followed when having your pedicure spa installed. Subsequent inspections and approvals that may be required are the responsibility of the purchaser. (See limited warranty regarding incidental or consequential exclusions)

- 1) **WARNING: RISK OF ELECTRIC SHOCK:** do not permit electric appliances (such as a hair dryer, lamp, telephone, radio, or television) within 1.5M of this pedicure spa.
- 2) **CAUTION:** Test the ground fault circuit interrupter protecting this appliance periodically in accordance with the manufacturer's instructions.
- 3) Temperatures sufficiently high to cause burns may occur regardless of the control setting.
  - a. Do not use on...
    - Infants
    - Invalids
    - Sleeping or unconscious persons.
  - b. Do not use on...
    - Sensitive skin
    - Person with poor blood circulation.



**Warning**

**Note: Check the skin in contact with the heated area of the appliance frequently to reduce the risk of blistering.**

- 4) Excessive water temperature is dangerous and should be checked before use. Maximum operating water temperature should not exceed 105 F (41 C) and the maximum supply water temperature should not exceed 150 F (65 C).
- 5) The spa could have a heated surface in the seat back cushion. Persons sensitive to heat must be careful when using the spa.
- 6) Always enter and exit the pedicure spa slowly and carefully.
- 7) Close side arm rests before operating the chair seat movement.
- 8) Never bring or operate any electrical devices into or near the pedicure spa.
- 9) This pedicure spa has a weight capacity of 250 pounds.
- 10) Use only while seated.
- 11) Connect this appliance to a properly grounded outlet only. See Grounding Instructions within the install manual.

**Note: Always verify maximum temperatures with your local & state codes.**

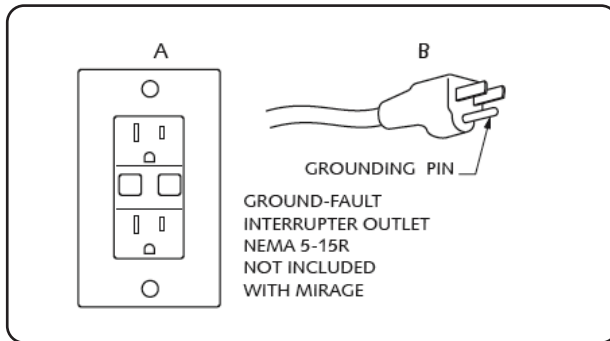


**Warning**

Individuals whose feet or legs are inflamed or have open wounds should not be allowed to use the pedicure spa at any time. Nail technicians should advise clients to consult their physician before using the pedicure spa if there is any sign of fungal infection, swelling, fracture, or persistent pain. In some cases diabetics may experience improved circulation in their feet, but should first consult their physician prior to receiving a pedicure. If the client experiences any pain or discomfort, immediately discontinue the use of the pedicure spa. Your client's massage and pedicure spa experience should be pleasant and comfortable.

## SAFETY & PRECAUTION

### Important Installation and Utility Information



**COMPLIANCE WITH LOCAL CODES OR INSPECTIONS IS THE RESPONSIBILITY OF THE PURCHASER AND/OR INSTALLER**

#### **Electrical Service:**

110V: A 110V, 60 Hz, 15 Amp GFCI protected grounded circuit must be used to supply power to the pedicure spa. (220V if ordered in 220V configuration)

#### **Water Supply:**

All plumbing connections must conform to local codes. Normal water pressure of 30 to 80 PSI is required to correctly fill the basin to the proper level. The hot water supply temperature must not exceed 150 F (65 C). Adjust your hot water heater accordingly. Carefully connect the incoming water supply lines to the appropriate fittings located on the back of the pedicure spa. Shut-off valves are recommended.

#### **Basin capacity:**

4.5 US gallons of water per pedicure service.

#### **Backflow Protection Devices for Faucets with Side Spray:**

Check valves comply with ANSI/ASME A112.18.3M, A112.18.1M, and CSA B125 ANSI/ASME A112.18.3M (Performance Requirements for Backflow Protection Devices and Systems in Plumbing Fixture Fittings) is applicable to plumbing fixture fittings with outlets not protected by an air gap.

Included in the possible range of applications are fittings with hose connected outlets, fittings with pullout spout, hand held showers, shampoo fittings and deck-mounted fittings. ASME A112.18.3M is now referenced in ASME A112.18.1M (Plumbing Fixture Fittings) and CSA B125.

Check valves are listed to both standards with the Canadian Standards Association, IAPMO and UL. ANSI - American National Standards Institute

ASME - American Society of Mechanical Engineers CSA - Canadian Standards Association IAPMO - International Association of Plumbing and Mechanical Officials UL - Underwriters Laboratory

The pedicure spa drain must meet local plumbing codes. Check valve for drain (not provided) must be installed by a licensed plumber.

## PIPELESS JET CLEANING

# Pure-Flo Pipeless Spa Cleaning and Disinfecting Procedure

Always check with your state board for required cleaning and disinfecting procedures. It is extremely important to clean and disinfect your pedicure spa after each pedicure, after the last pedicure of the day, and once a week for overnight cleaning. Regular cleaning will help keep your pedicure spa in good working condition. Proper and continuous cleaning will kill harmful bacteria and germs that can cause infection. To clean your pedicure spa equipped with pipeless technology, follow these easy steps:

After use upon each patron, each pipeless pedicure spa shall be cleaned and disinfected in the following manner:

- (1) All water shall be drained from the spa basin.
- (2) Remove 2 piece inlet housing & impeller.
- (3) Scrub all visible residue from the inlet housing, impeller, inside walls of the basin, and/or other components and the areas behind or under each with a clean brush and liquid soap (labelled as such on soap product) and water. Rinse with clean water.
- (4) Re-insert the properly cleaned inlet housing & impeller.
- (5) Refill the basin with clean water and circulate the correct amount (read the label for mixing instructions) of the EPA-registered hospital-liquid disinfectant which the label claims is a bactericide, fungicide, and virucide, through the basin for at least 10 minutes.
- (6) Drain, rinse and wipe the basin dry with a clean paper towel.
- (7) Record this procedure in the pedicure-cleaning log. The log shall contain the date and time of each cleaning, initials of the person who completed the procedure, and shall indicate that the cleaning was done after a client.

**At the end of every day and after performing the procedures provided in subsection (b) (1 through 6) and after the last client, each pipeless pedicure spa shall be cleaned and disinfected in the following manner:**

- (1) Fill the basin with warm water and detergent (labelled as such on detergent product) and circulate the detergent through the spa system for at least 10 minutes.
- (2) Drain the detergent solution and rinse the basin.
- (3) Refill the basin with clean water and circulate the correct amount (read the label for mixing instructions) of the EPA-registered hospital-liquid disinfectant which the label claims is a bactericide, fungicide, and virucide, through the basin for at least 10 minutes.
- (4) Drain, rinse and wipe the basin dry with a clean paper towel.
- (5) Allow the basin to dry completely.
- (6) Record this procedure in the pedicure-cleaning log. The log shall contain the date and time of each cleaning, initials of the person who completed the procedure, and shall indicate that the cleaning was done at the end of the day.

**At least once each week, after completing the procedures provided in subsection (c) (1 through 3), and the disinfectant solution in each pipe-free pedicure spa shall not be drained and the following procedures shall be followed:**

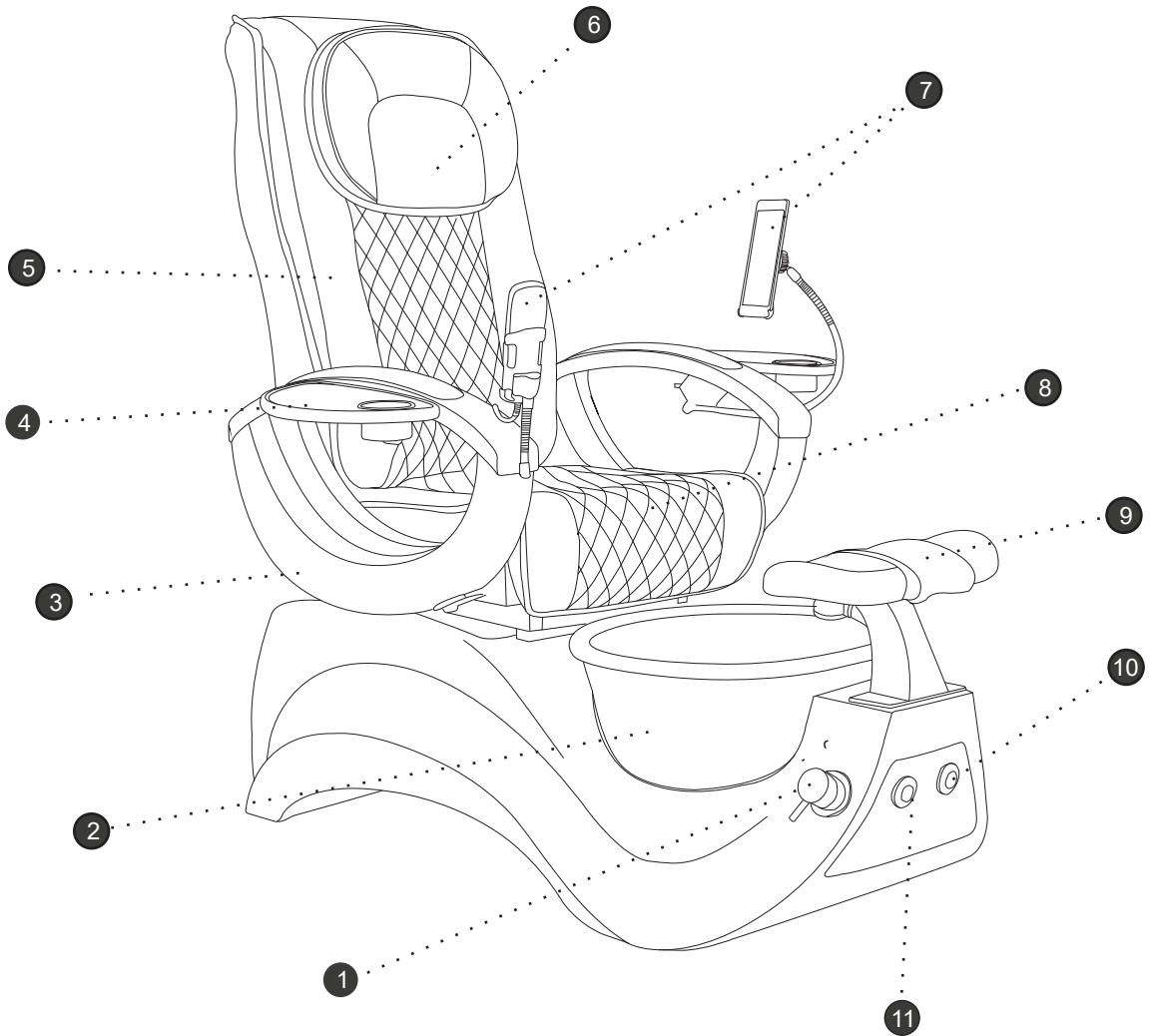
- (1) The unit shall be turned off and the disinfecting solution shall be left in the unit undisturbed for 6 to 10 hours.
- (2) After the disinfectant solution has been sitting between 6 to 10 hours, drain, rinse and wipe the basin dry with a clean paper towel.
- (3) Record this procedure in the pedicure-cleaning log. The log shall contain the date and time of each cleaning, initials of the person who completed the procedure, and shall indicate that the cleaning was done weekly. The pedicure-cleaning log shall be made available upon request by either a patron or a state board representative. A violation of this section may result in an administrative fine and/or disciplinary action.



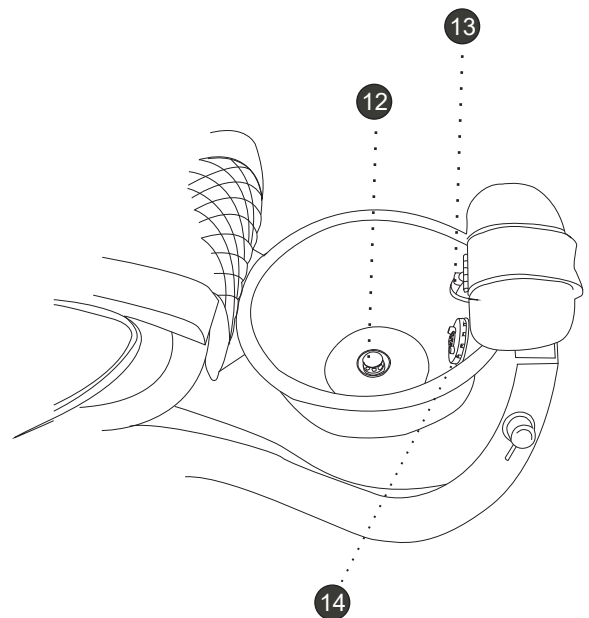
**Warning**

Cleaning products that contain abrasives can damage the pedicure spa. Use only non-abrasive products to clean your spa.

## PEDICURE COMPONENTS

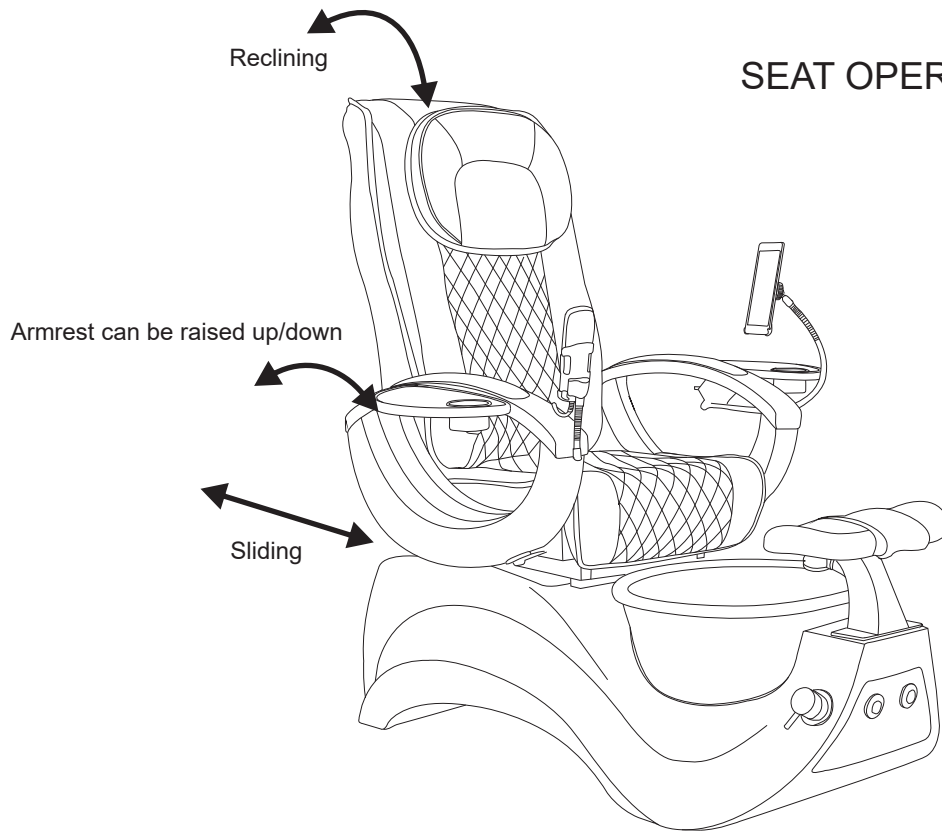


1. Hot & Cold Water Control
2. Glass Bowl
3. Wooden Armrest
4. Flip-out Tray with Cup Holder
5. Chair with Massager
6. Headrest Pillow
7. Remote Controllers
8. Seat Cushion
9. Adjustable Footrest
10. Drain Control
11. Jet Control
12. Drain
13. Pull-out Hand Spray
14. Jet

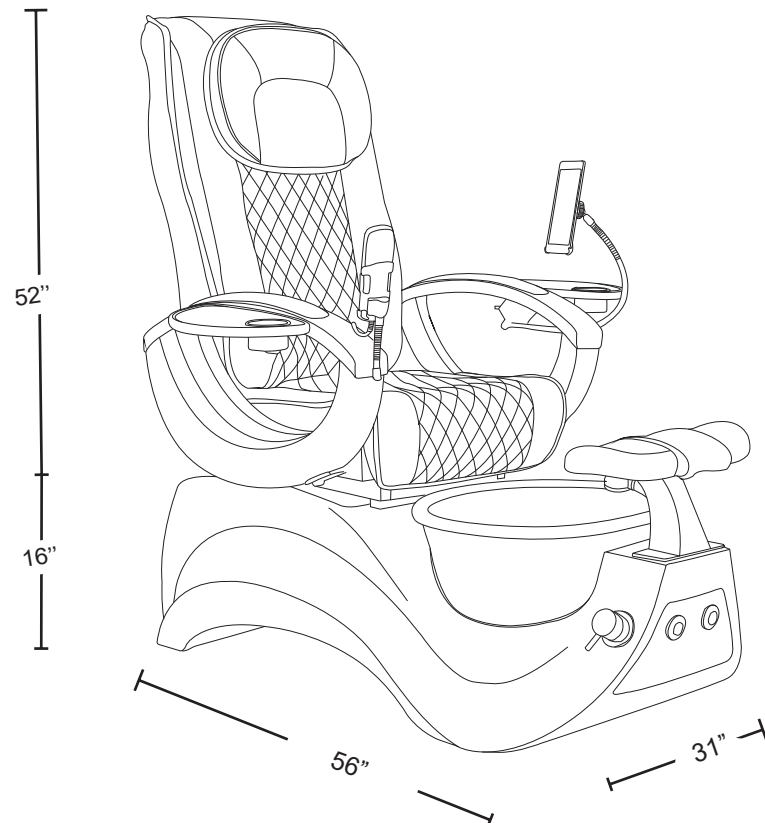


# PEDICURE COMPONENTS

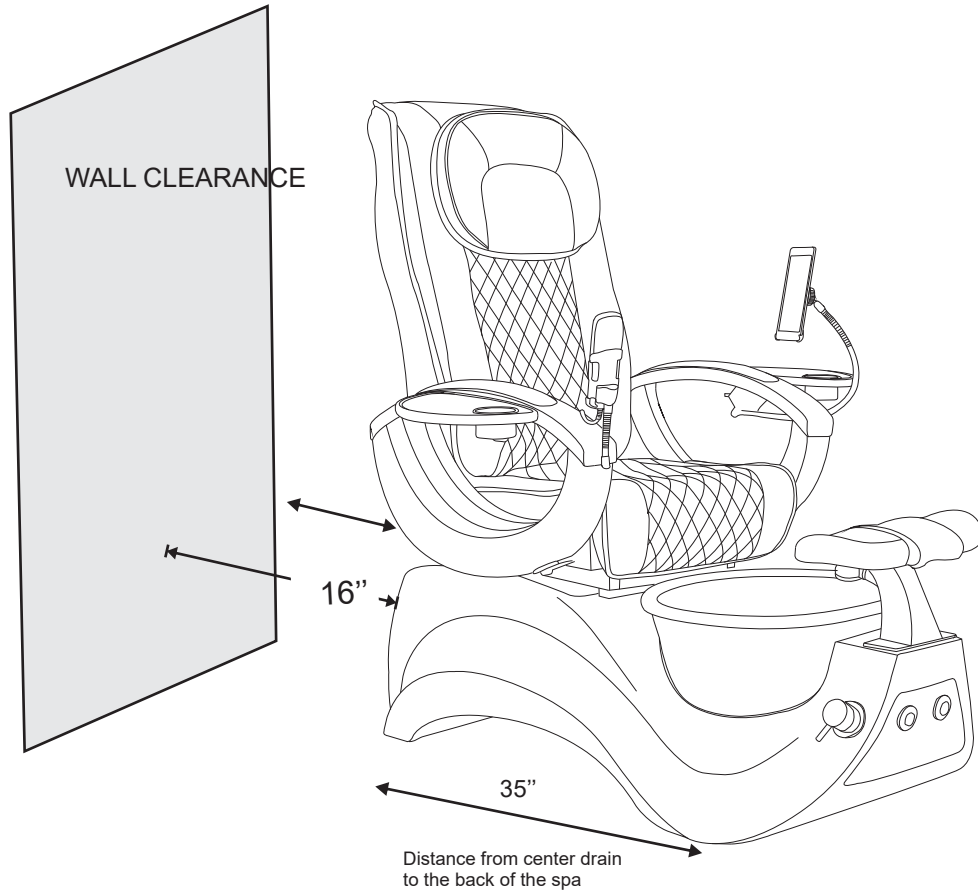
## SEAT OPERATION



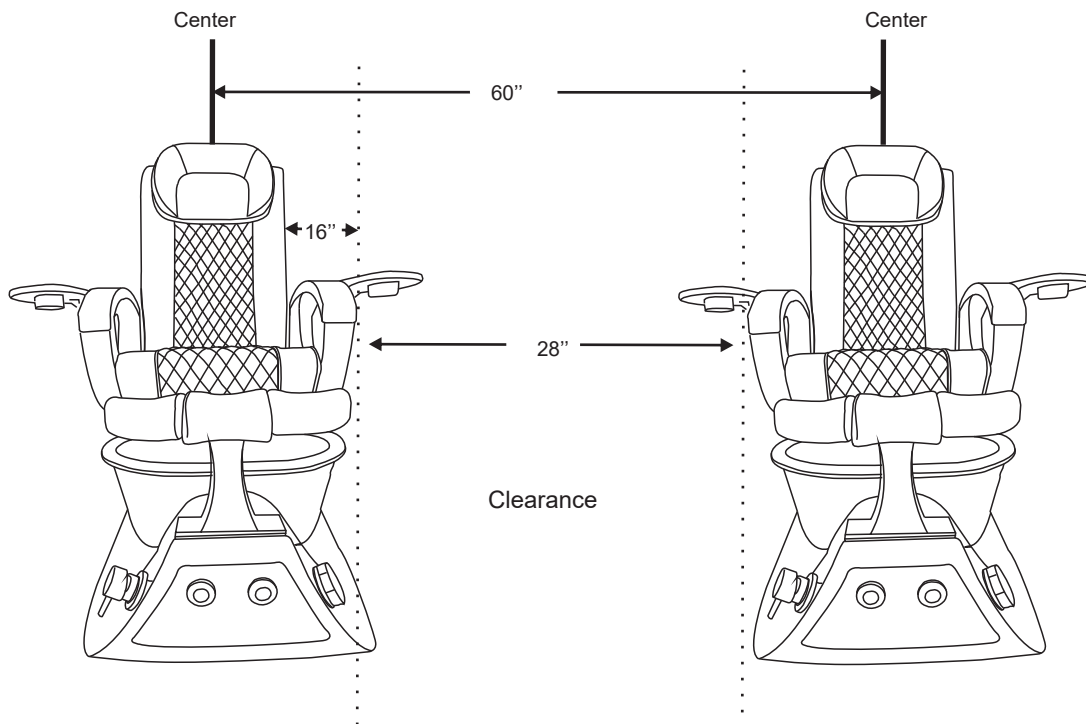
## SPA DIMENSION







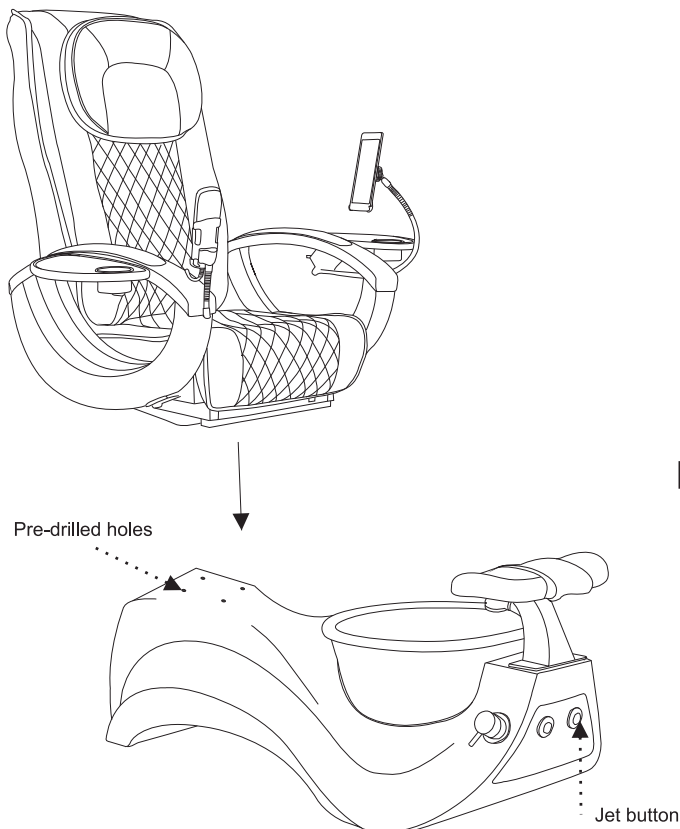
TYPICAL FOOT-SPAS



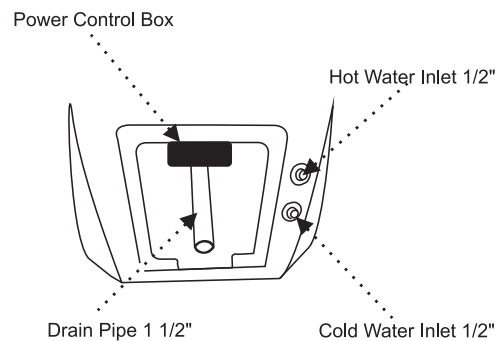
## INSTALLATION

### Install Seat to The Base

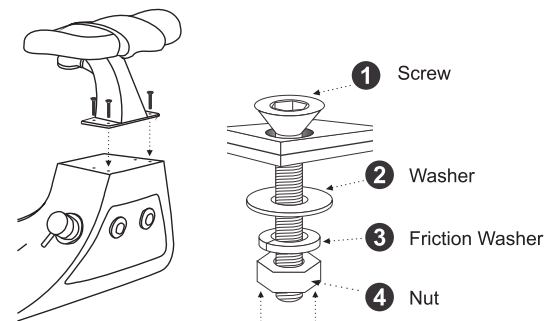
1. Place the pedicure chair base near the location where it will be installed. Install screws.
2. Align the seat with the pre-drilled holes on the base then tightly secure with the nuts and bolts provided.
3. Foot Rest Installation: Remove the front panel by gently prying the panel off with wooden stick. Install screws as shown in diagram below.
4. Attach the drain pipe to the drain system.
5. Connect the hot water supply line to the top inlet.
6. Connect the cold water supply line to the bottom inlet.
7. Fill the basin with water and check for leaks.
8. Turn on the pipeless motor by pressing the right side air button to make sure it works.
9. Install trays, remote control stand to armrest with screws provided.
10. Plug in the power.
11. Plug the power from the massage chair to the power control box "Continuous" Socket.



### Back Panel Plumbing Connection



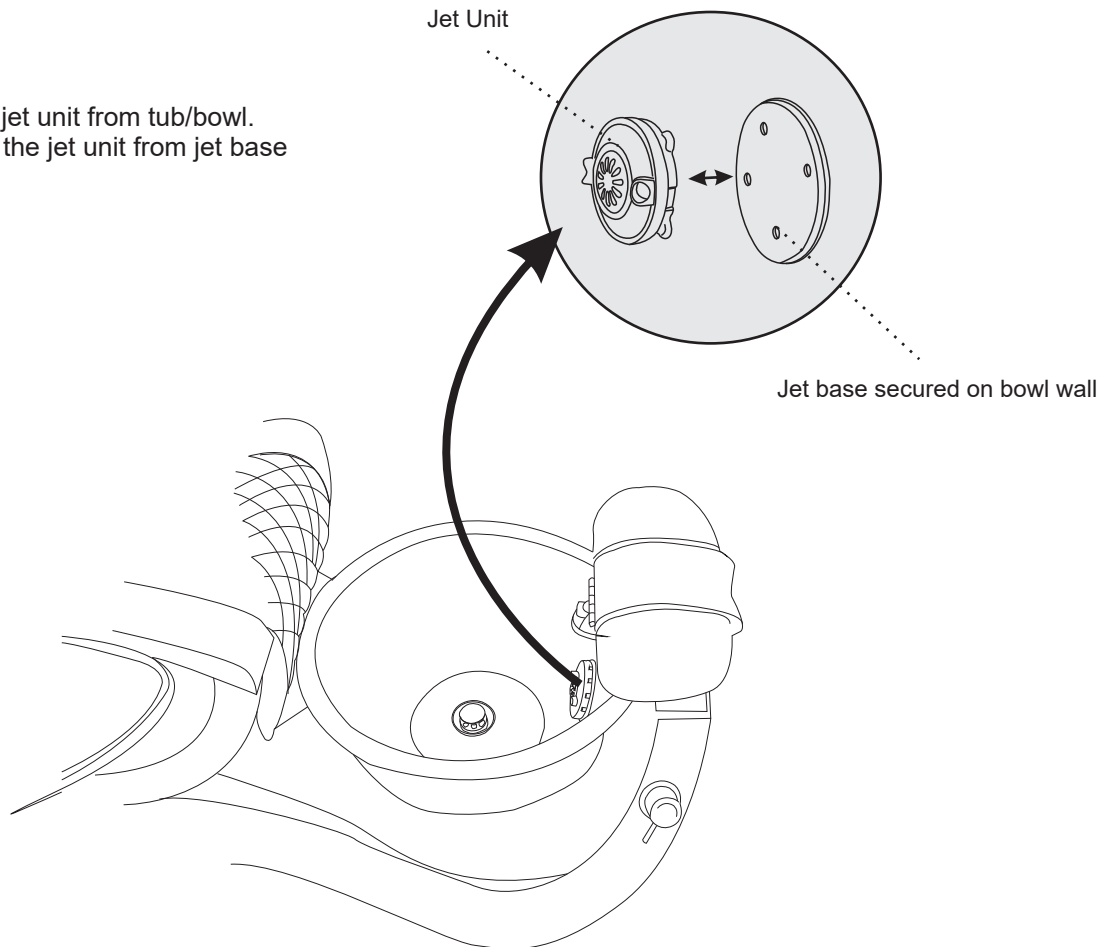
### Foot rest Installation



## JET REMOVAL

### Remove Magnetic Jet from jet base

To remove the jet unit from tub/bowl.  
Gently pull out the jet unit from jet base



To install the jet unit. Assemble all jet unit components in order as before removal, snap the jet unit onto jet base located on tub/bowl wall securely.

Note: All jet unit components must be assembled in sequence of order to avoid malfunction. Ensure basin is filled prior to switching on jet motor.

1. Place the pedicure chair at least 16" from the wall and on a level and stable surface.
2. Hot and cold water supply line fittings are 1/2" and are located at the rear of the unit.
3. Drain can be extended with a 1 1/2" PVC pipe. Use of a floor sink is recommended.
4. The electrical outlet used to supply power to each pedicure chair must be 110V, 60Hz, 15 Amp GFCI protected and grounded.

The installation must comply with federal, state, and local building, electrical, and safety codes, where applicable. Installation must be completed by a licensed plumber. Failure to comply with the above may void the warranty.

### DIMENSIONS

Alden Crystal 56" L x 31" W x 52" H ( Trays Down )  
 Alden Crystal 56" L x 46" W x 52" H ( Trays Up )

