

Advanced New Technology

**MODELS**

**PS60 & PS61**

**Pedicure Spa Chair**

User's Manual

Pibbs Industries. 133-15 32ns Ave Flushing, NY 11354 Tel(718)445-8046 Fax (718)461-3910

# IMPORTANT ASSEMBLY INSTRUCTIONS

Your chair is basically ready to use right out of the box. Only a small amount of assembly is required and this can be easily completed in just a few minutes.

Please follow the 3 steps described to assemble your chair.

## 1.- Mount backrest and bottom frame on spa tub .

To aim 4 holes of bottom frame at 4 holes of spa tub , insert (A) trough bottom frame and spa tub, then fix the bottom frame by nuts (B) from underneath of spa tub.

Straighten backrest and aim U-type metal at Actuator, fix them by bolt (C) and R-pin (D).

Please take out the skirt cover from the plastic bag of set cushion and stick it onto the seat frame properly.

## 2.- Armrest Assembly

A. Aim the two holes of arm bolder on the two holes of the top of the seat frame and tighten screws (F).

B. Carefully open the zipper located at the bottom of the armrest.

C. Align the round pivot bar on the armrest with the hinge on the side of the seat frame and insert the armrest.

D. Insert the bolt (G) and washer (H) into the hole on the side of armrest and tighten it.

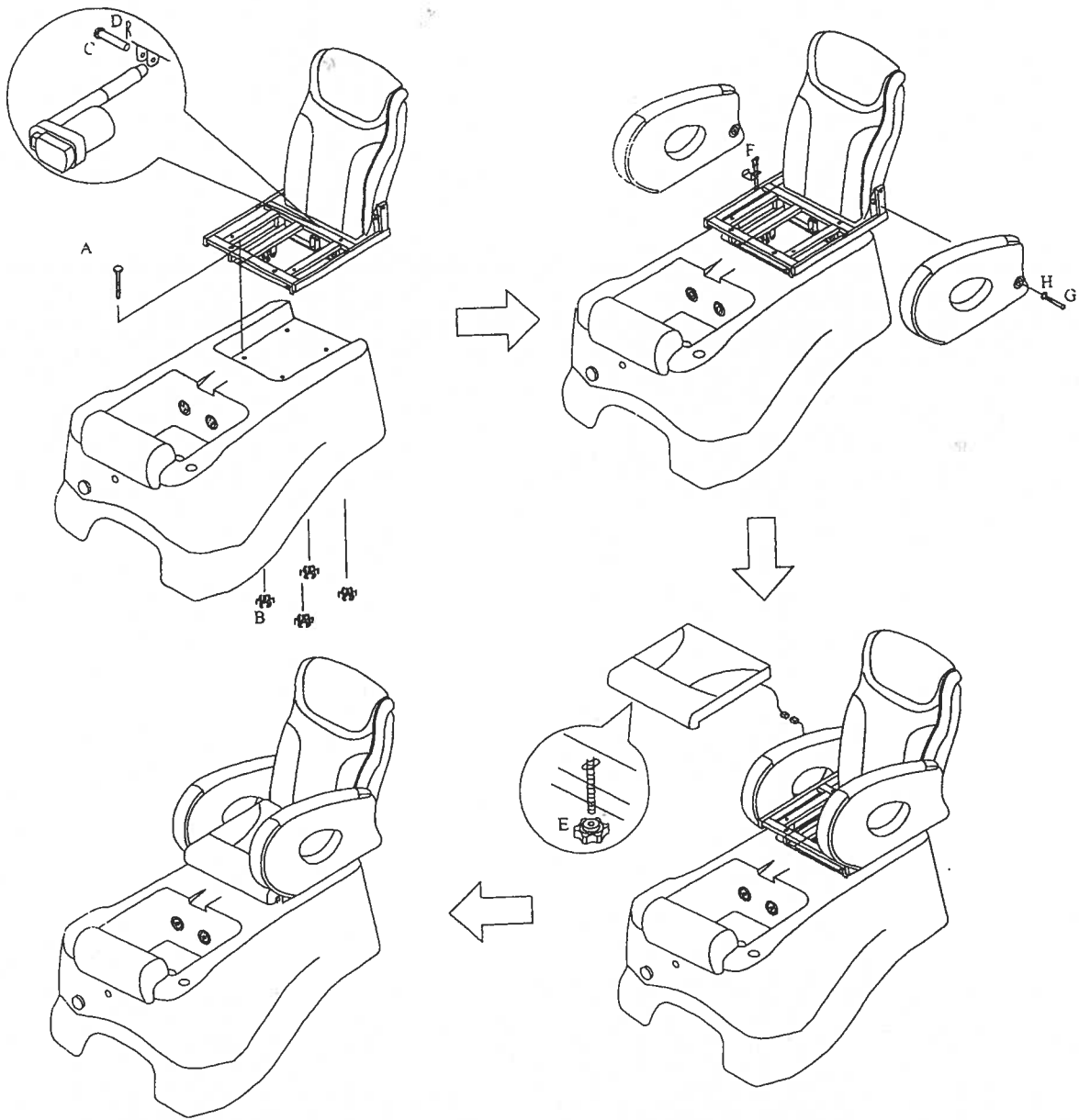
E. Repeat step A to D for the other armrest and carefully close the zipper when finish.



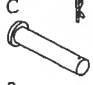



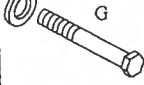
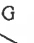
## 3.- Seat Cushion Assembly

A . Connect the connector of backrest to the connector underneath of seat cushion.

B. Insert two screws under seat cushion into two holes of set frame then fix them by nut (E) .

Please read the User's Manual thoroughly before using.



<p>A</p>  <p>4pcs</p>	<p>B</p>  <p>4pcs</p>	<p>C</p>  <p>D</p>  <p>1pcs</p>	<p>E</p>  <p>2pcs</p>	<p>F</p>  <p>4pcs</p>	<p>H</p>  <p>G</p>  <p>2pcs</p>
--	--	---	--	---	---

# CONTROLLER FUNCTIONS AND DESCRIPTIONS



## 1.TIME

To start any manual function, press the button to set message time for 5/10/15/20/25/30 minutes.

## 2.STOP

Stop the massage program and the massage wheels will automatically return to its original position

## 3.AUTO

There are 3 Auto programs for 30 minutes.

A1: Whole back and foot for health care massage

A2: Whole back for refresh and fatigue release massage.

A3: Whole back for relax and comfortable massage.

## 4.CONT/REP

To select the different area as you desired, such as the whole back, neck, back and waist.

## 5.KNEAD

Kneading function.

## 6.SPEED

4 functions of SPEED button. Soft/Medium/Strong/auto cycle of 4 intensity effect. You can apply the function to the manual functions of kneading, tapping and combine.

## 7.COMBINE

Kneading and tapping functions.

## 8.TAP

Tapping function.

## 9.WIDE/NARROW

3 functions of WIDE/NARROW button. To adjust the width of massage wheels for wide/ medium/narrow while tapping and rolling functions.

## 10.SEAT VIBRATION

Soft/medium/strong of 3 intensity effect.

## 11.BACKREST UP/DOWN

Press UP or DOWN button, the backrest will rise or recline.

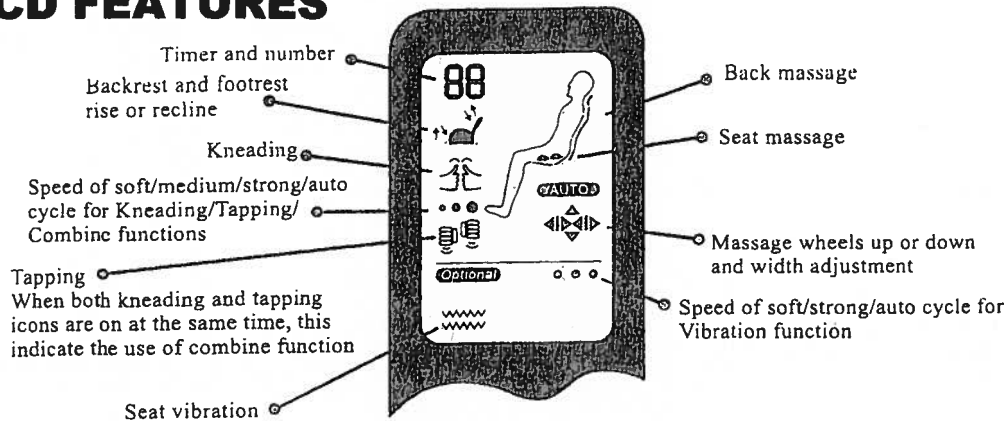
## 12.SEAT FORWARD/BACKWARD

Press FORWARD /BACKWARD button, the chair seat will forward or backward.

## 13.WHEELS UP/DOWN

Press UP or DOWN button to adjust the massage wheels to desired position.

## LCD FEATURES



## METHOD OF OPERATION

- 1.- Plug in the power source, the switch on the power switch at the right side of chair back.
- 2.- Adjust the backrest and chair seat to the most comfortable position.
- 3.- Set the massage time or select from the automatic functions for AUTO button.
  - \* Automatic functions:  
For the completely automatic function, press the "AUTO" button and choose from the full body massage (A 1) or full body massage (A2) or full body massage (A3) fully automatic massage settings.
  - \* Manual Functions:  
A) Press the TIME button to set the desired time 5/10/15/20/25/30 minutes, then choose from the button of KNEAD, TAP, COMBINE or CONT/REP massage functions.  
B) When using the KNEAD, TAP, COMBINE massage functions, you can adjust the massage speed by pressing the SPEED button. When using the tapping functions, you can press the WIDE/NARROW button to adjust the massage width. At any time. You can press the "UP" or "DOWN" button to adjust the position of the massage wheels.
- 4.- Unique functions selection:
  - \* The SEAT VIBRATION button can be operated separately to work with Auto programs or manual programs.
- 5.- Stop:  
Press the STOP button will automatically stop the massage functions. The massage wheels will automatically return to the top of the backrest, and the chair will automatically to its full upright position.
- 6.- When finished, please switch off the power and remove the plug.

## SPECIFICATIONS

Product name	Super chair
Power source	*AC 110-120V 50-60HZ *AC 220-240V 50-60HZ
Consumption	186W (minimum)
Timer range	5/10/15/20/25/30 minutes
Reclining angle	110 - 140
Forward/Backward Route	120mm
Dimensions	93cm (L) *78cm(W) *98cm(H)
Weight	49+ 3 KGS

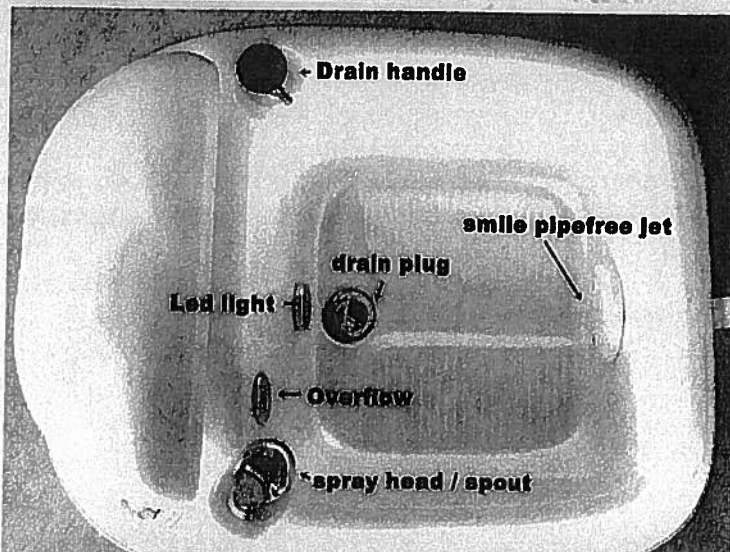
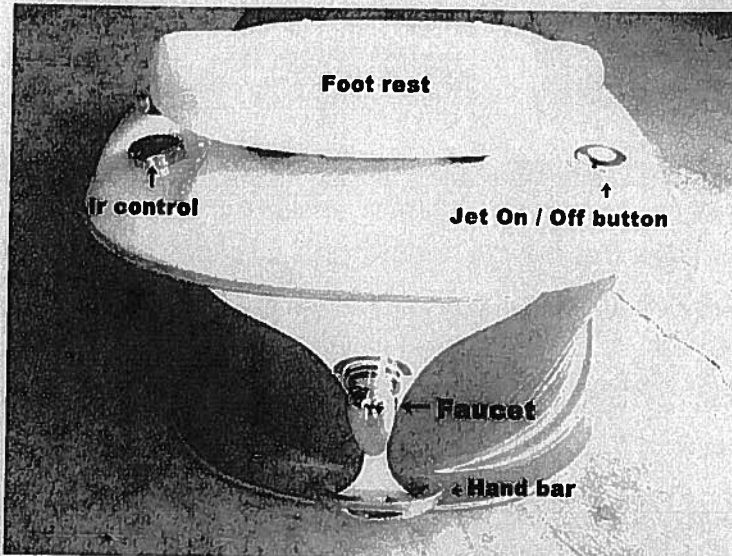
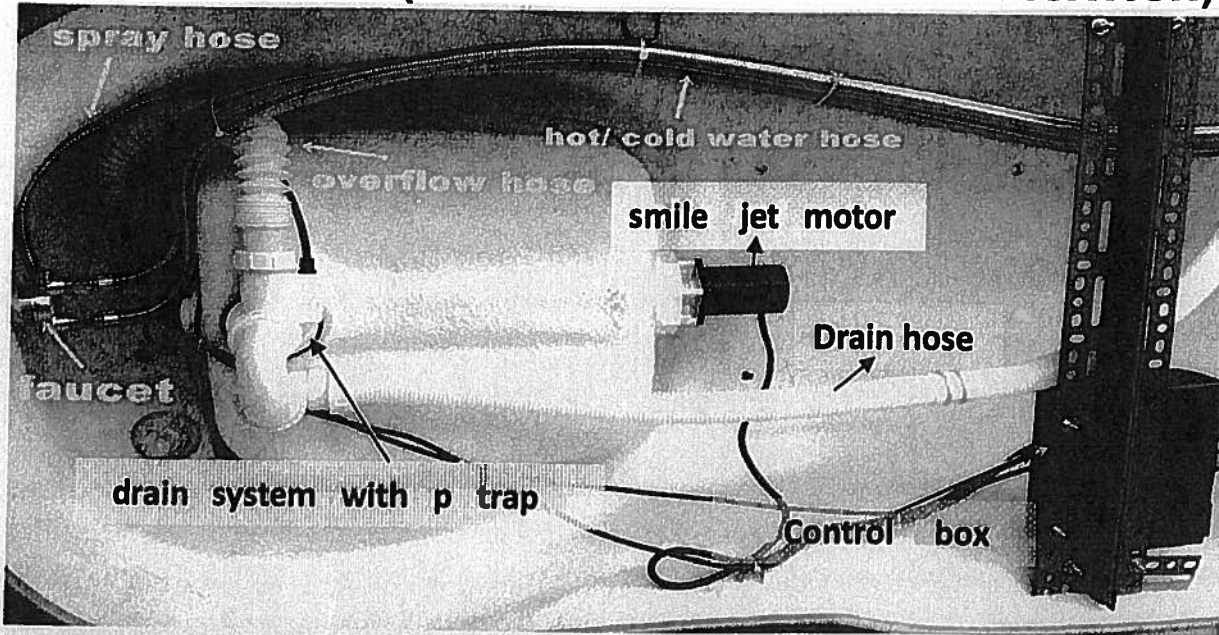
## SAFETY PRECAUTIONS

TO PREVENT ANY POSSIBLE DAMAGAE, ACCIDENT, OR INJURY, PLAESE PAY ATTENTION TO THE FOLLOWING CAUTIONS:

- 1.- Persons with any of the following conditions, MUST consult their physician before using the chair
  - a.- Heat diseases.
  - b.- Malignant tumors.
  - c.- Women who are pregnant or menstruating.
  - d.- Spinal abnormalities or curvature or osteoporosis.
  - e.- Require medical rest.
- 2.- **DO NOT** let children play on the chair.
- 3.- Keep hands and feet away from the massage mechanical devices.
- 4.- If users feel unwell and will when using the chair, please stop and turn off the power immediately.
- 5.- **DO NOT** use the chair in a dirty, greasy, smoggy environment.
- 6.- **DO NOT** expose the chair directly to sunlight and DO NOT place the chair too close to other electrical appliances.
- 7.- **DO NOT** clean the chair with alcohol, evaporative solutions or strong detergent..
- 8.- **UNPLUG** the power cord when doing maintenance.
- 9.- **UNPLUG** the power cord and DO NOT use the chair if the leather or fabric cover is torn or worn out. Contact the company's maintenance department immediately.
- 10.- **DO NOT** attempt to uninstall, repair and modify the chair without the company's technician accompanying.

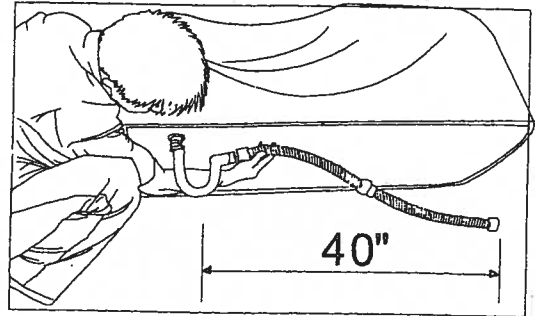
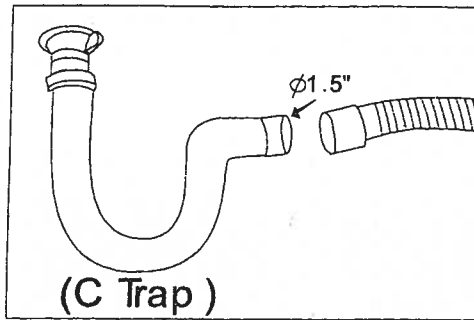
11.- **DO NOT** load two (2) persons on the chair at the same time.

**MODEL: PS60/61 (NAME OF PARTS AND SPECIFICATION)**



- **DRAIN FACILITIES.**

Connect the C trap of foot spa drain system with enclosed drain pipe before you drain water from the tub. You can ask your local, qualified electrician and plumber to install a discharge pump if necessary.



- **FOOTSPA MUST BE SECURELY FASTENED TO THE FLOOR.**

Fasten the foot spa with at least two fasteners at each side for safety.

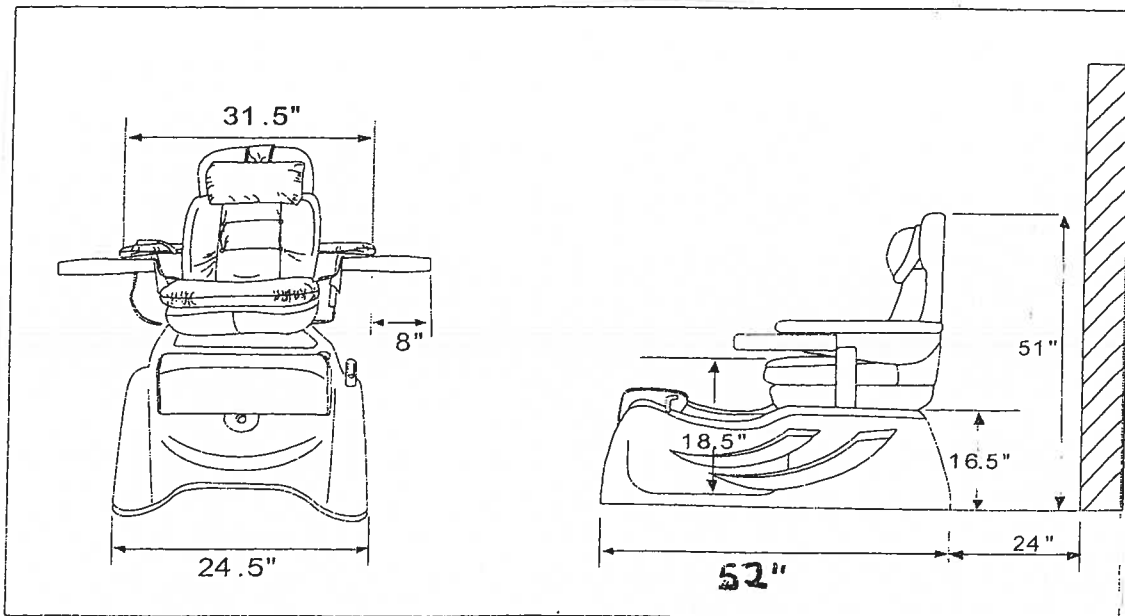
**INSTALLATION SUMMARY**

---

The installation must comply with local, state and national building, plumbing and electrical codes, where applicable. A licensed plumber should complete the plumbing of the foot spa.

- **Step 1: Location**

Select a level location where the floor structure beneath the Foot spa is capable of supporting the Foot spa. For the seat back to fully recline the Foot spa base must be mounted a minimum distance from the wall.





## IMPORTANT INSTALLATION CONSIDERATIONS-----

- **ELECTRICAL SERVICE**

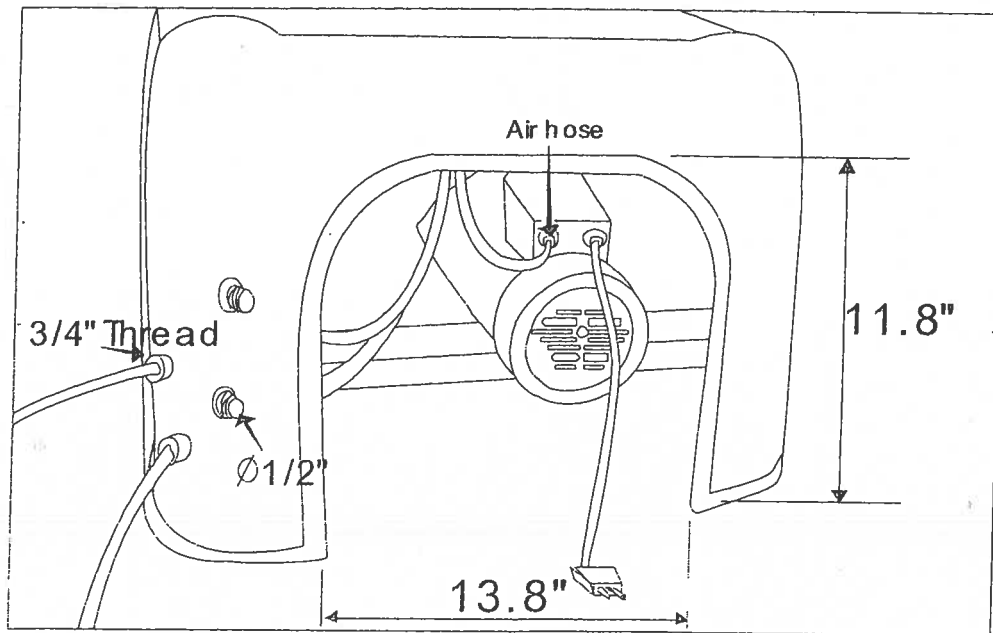
Check the voltage first and install a leak current breaker by a licensed electrical to ensure the safety operation.

Each foot spa must have its own dedicated 110v / 60 Hz , 15 Amp GFCI protected grounded circuit.

- **WATER SUPPLY**

Water supply to the foot spa should consist of a system that will provide both adequate water pressure and water temperature. All plumbing connections must conform local codes.

Normal water pressure is required to correctly fill the tub to the proper (water spout should not be inundated with water).



## PLUMBING CONNECTIONS

All plumbing connections drain and fresh hot/ cold water should be made by a qualified, licensed plumber In accordance with local plumbing and building codes.

### a.- Connect Hot and Cold water Supply:

Carefully connect ½ -ID supply tubes to a fresh water source. Shut-off valves should be utilized.

### b.- Connect drain line:

Using 1 ¼" scheduled PVC drain pipe and appropriate traps, connect drain to meet local plumbing codes.

- **ELECTRICAL CONNECTION: Made sure voltage of your area before connect it.**

All electrical connections **MUST** be made by a qualified , licensed electrician in accordance with Local and National Electrical and Building Codes. A 110V. 60HZ. 15 Amps. Or 220v, 50Hz, 10Amps GFCI protected grounded circuit **MUST** be used supply power to the Pedicure Chair.

- **TESTING THE PEDICURE SPA:**

After the plumbing and electrical connections have been made and the base unit has been secured to the floor, clean the tub and will water **HIGH** than jets (s).

After the tub is filled with enough water, press the button on the front of the Pedicure Spa to turn the jet motor on and check for leaks at the drain overflow and all inlet and suction fitting. After checking under the tub for leaks , press the same button to turn the pump motor off and drain.

## ELECTRICAL AND PLUMPING REQUIREMENTS.....

The Pedicure Spa must be conveniently located near adequate utilities as follow:

- **Electrical Requirement**

An 120V. 60Hz, 15 Amp or 220V-240V/50HZ, 10 A GFCI (Ground Fault Circuit Interrupter) **MUST** be Used to supply power to the Foot Spa . ( depend on what voltage using in your area).

**WARNING: You must call a qualified electrician to connect the pedicure spa . Failure to do so may result in serious injury or death to electrical shock.**

- **Water Supply:**

Water supply to the Pedicure Spa should consist of a system that will provide both adequate water pressure and water temperature. All plumbing connections must conform to local codes.

- **Water Pressure:**

Normal water pressure of 30- 120 P.S.I. is required to correctly fill the tub to proper levels.

- **Water Temperature:**

The water temperature should never exceed 105 F. This temperature should not create a problem for any normal water heater in good working order.

- **Water Drain Line:**

Connect the foot spa drain system with enclosed drain pipe before you drain water from the tub.

You can ask your local, qualified electrician and plumber to install a discharge pump if necessary.

**INSTALLATION.....**

Please read carefully and follow all instructions in this manual. The installation must comply with local, state and national building, plumbing and electrical codes, where applicable. A licensed plumber should complete the installation. Electrical wiring, components and connections must be completed by a licensed electrician.

- **Floor Level:**

Select a level location where the floor structure beneath the Pedicure Spa is capable of supporting it.

**IMPORTANT: For safety, the base of the Pedicure Spa must be a minimum of 22" from the back wall. If this distance is less , the seat back will still recline; however, it will hit the back wall.**

- **Add Water to the Pedicure Spa Basin:**

- a. Turn the overflow knob counter- clockwise until stops to close drain hole.
- b. Lift upward on the hot & cold control mixer to add water to the basin .
- c. Turn the handle in a counter-clockwise direction for cold water or clockwise for warm water as indicated by the red (hot) and blue (cold) markings under the handle. Continue to add water until the fill line is reached.

**CAUTION: Always check water temperature before use; hot water can burn skin. Water temperature should not exceed 105 F (38 C).**

- **Turn off water:**

Turn the off water by pushing the handle downward. Start or stop the whirlpool by pressing the On/Off Air Switch button.

- **Remove water from the Pedicure Spa Basin:**

Make sure that the whirlpool jet is turned off by pressing the on/off button. For use with a floor drain, simply open the drain by turning the overflow knob in a clockwise direction until it stops.

You should see the water level lowering as water exits the basin.

- **Remove water whil the drain pump (optional):**

For use with the optional drain pump feature, open the drain before you turn on drain pump. Press the round button in the front panel.

The water level will lower as water is pumped out of the basin. Turn the pump off by pressing the button in the front panel once the basin is fully drained (**NOTE** the drain pump will automatically shut off after 3 minutes.) We recommend turning off the pump manually if all water has drained before automatic shut-off. Drain pump may overheat if operated more than 10 minutes.

**NOTE:** If you are using a wall drain, it is very important that you close the drain cap for each use. Failure to do so will result in contamination of the system.

**NOTE: DO NOT turn the spa "ON" unless adequate water is fully filled in the tub.**

**NOTE:**

Do not drain the tub until the pump has completely stopped operating. Turn the overflow/waste assembly to drain the water from the tub and plumbing system.

**IMPORTANT:**

The entire system is automatically self-draining and should be drained after each use so that no stagnant water remains in the whirlpool system.

**PS60/61**



THE UNIT COMES WITH 2 OF THESE ARM STOPER TO BE MOUNTED ON FRAME WHERE SEAT SITS ON TOP OF. ( See picture)

