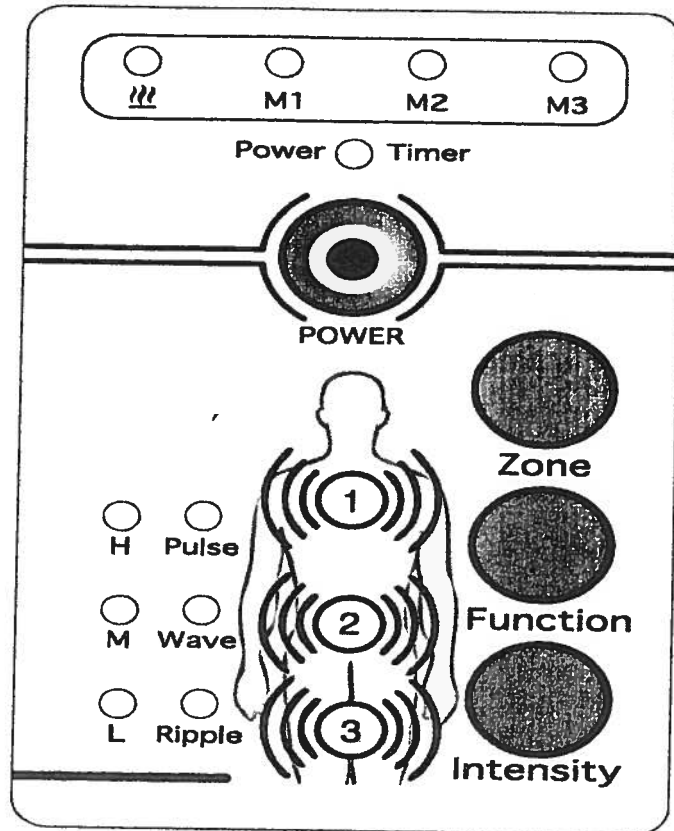


PIBBS INDUSTRIES

PS74/PS75

Massage Function ----- Six vibration motors with heat



POWER SWITCH: Press once, power on. Press again, power off. The power will be shut down after times up.

ZONE SWITCH: Seven massage programs for different position could be chosen and the eighth pattern will stop all functions. LED flash change as follow:
M1->M2->M3->M1+M2->M2+M3->M1+M3->M1+M2+M3.

FUNCTION SWITCH: Three massage functions could be chosen

- Pulse: Massage progress is from up to down step by step. In order to massage smooth and comfortable, the frequency for motors could be changed automatically.
- Wave: Vibrating massage progress for all position at the same time, and intensity for vibration move in circles from strong to weak.
- Ripple: Partial massage and the speed for motor is fast and slow from up to down.

INTENSITY SWITCH: Three speeds for massage and could be set as personal like. This function can match with all massage programs.

Caution:

Please have at least an interval of 15 minutes before next use.

Inspection & Precautions

PLEASE READ AND FOLLOW INSTRUCTIONS CAREFULLY !

Upon the receipt of your footspa , please inspect goods carefully for shipping damage immediately upon arrival. Contact your supplier or customer support if any damage is found.

If unseen loss or damage is found, you must notify the freight line immediately and request an inspection of the damage. **PLEASE DO NOT DISCARD ANY PART OF THE SHIPPING CARTON.** If you give the carrier a clear receipt for goods that have been damaged in transit, you do so at your own risk and expense.

Important Precautions

We require that you should contact your local, qualified electrician and plumber to install your whirlpool footspa . It can not operate efficiently or safely unless it is provided with adequate electrical power, sufficient water pressure, proper water temperature and required drain facilities. Information on these important subjects are contained in this manual. We urge you to read it carefully to make sure these requirements are met.

Precautions

1. Excessive water temperature is dangerous and should be checked before use. Maximum water temperature should not exceed 105° F (38 ° C)
2. Always enter and exit the foot spa slowly and carefully.
3. Never bring and / or operate any electrical devices into the foot spa.
4. Do not stand in the whirlpool tank (sink) !
5. This foot spa has a weight capacity of 250lb (113 KGS).

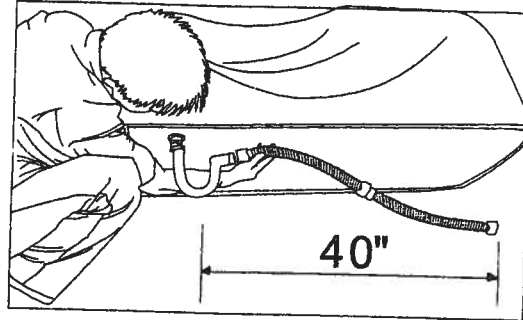
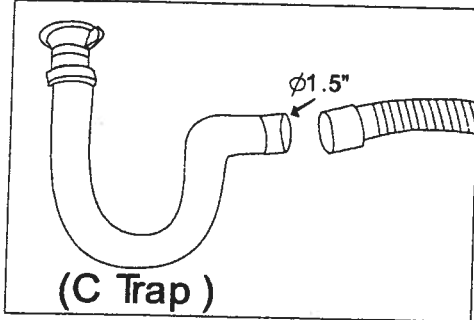
Warning

Do not use if you are diabetic, have poor circulation , or if any area of your feet or leg are inflamed or have open wounds. Consult your physician before using if you have any kind of fungal infection, swelling , fracture , or persistent pain.

Massage should be pleasant and comfortable . **IF YOU EXPERIENCE PAIN OR DISCOMFORT, DISCONTINUE USE IMMEDIATELY AND CONSULT YOUR PHYSICIAN.**

- **Drain Facilities**

Connect the C trap of footspa drain system with enclosed drain pipe before you drain water from the tub. You can ask your local, qualified electrician and plumber to install a discharge pump if necessary.



- **Footspa must be securely fastened to the floor**

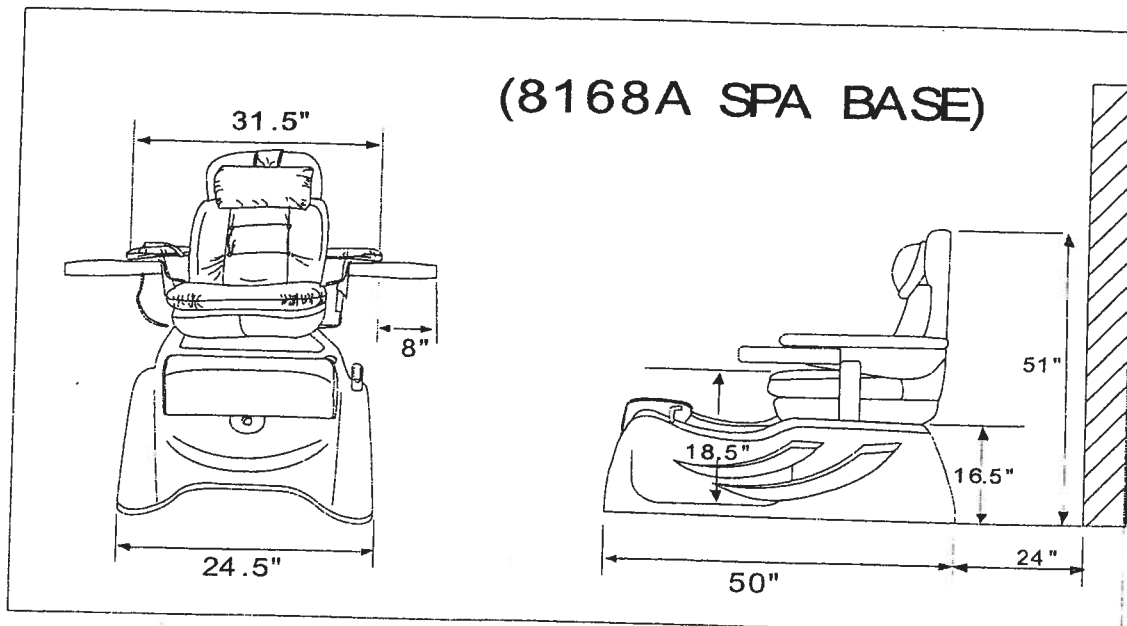
Fasten the footspa with at least two fasteners at each side for safety.

Installation Summary -----

The installation must comply with local, state, and national building, plumbing and electrical codes, where applicable. A licensed plumber should complete the plumbing of the foot spa.

- **Step 1 : Location**

Select a level location where the floor structure beneath the Footspa is capable of supporting the Footspa. For the seat back to fully recline the Footspa base must be mounted a minimum distance from the wall.



Important Installation Considerations

- **Electrical Service**

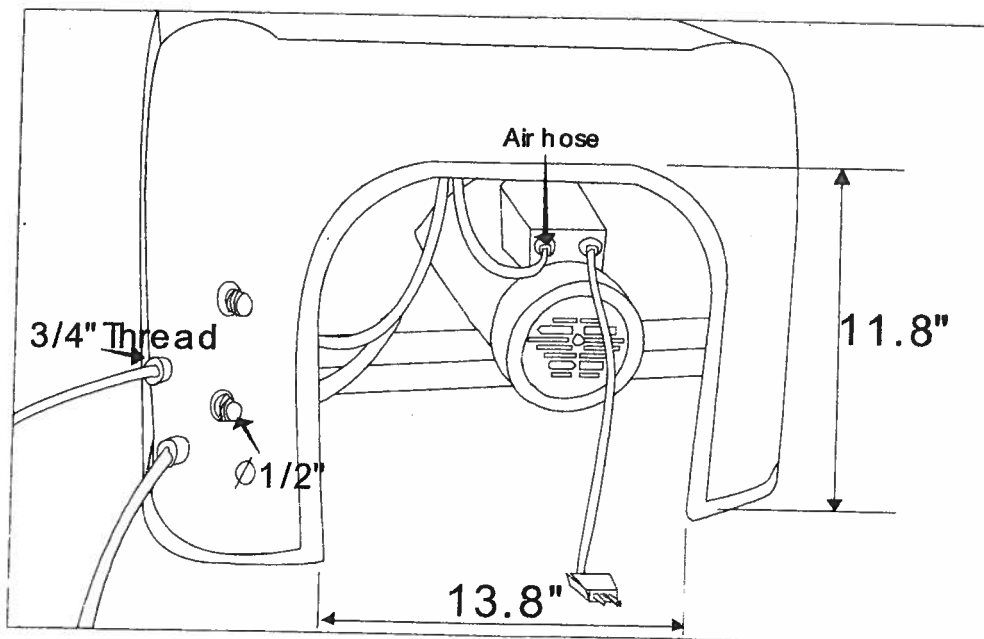
Check the voltage first and install a leak current breaker by a licensed electrician to ensure the safety operation.

Each footspa must have its own dedicated 110V / 60 Hz , 15 Amp GFCI protected grounded circuit .

- **Water Supply**

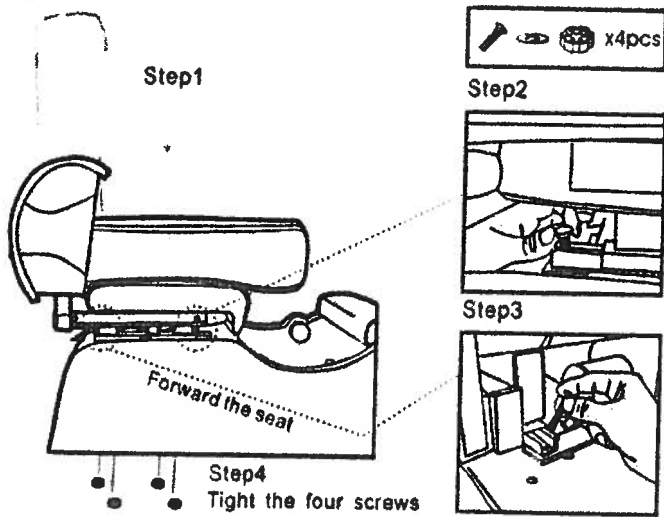
Water supply to the foot spa should consist of a system that will provide both adequate water pressure and water temperature. All plumbing connections must conform to local codes.

Normal water pressure is required to correctly fill the tub to the proper (water spout should not be inundated with water).

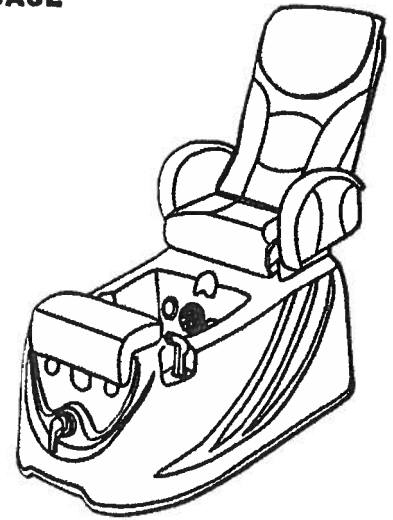


b. If your chair is automatically forward/backward/recline

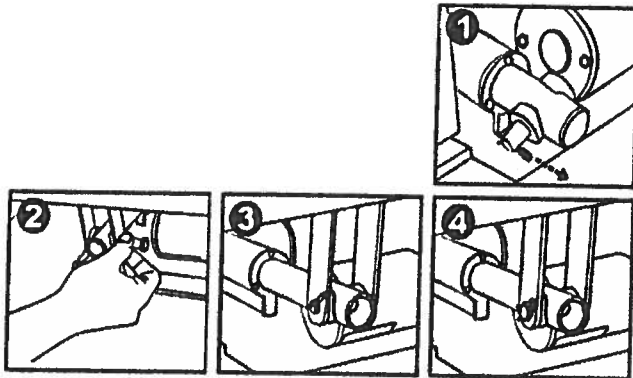
■ INSTALL CHAIR ON BASE



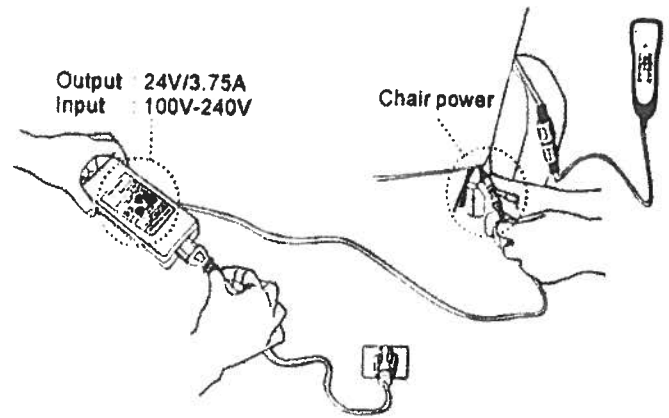
■ CHAIR AND BASE



■ CONNECT SEAT WITH BACK

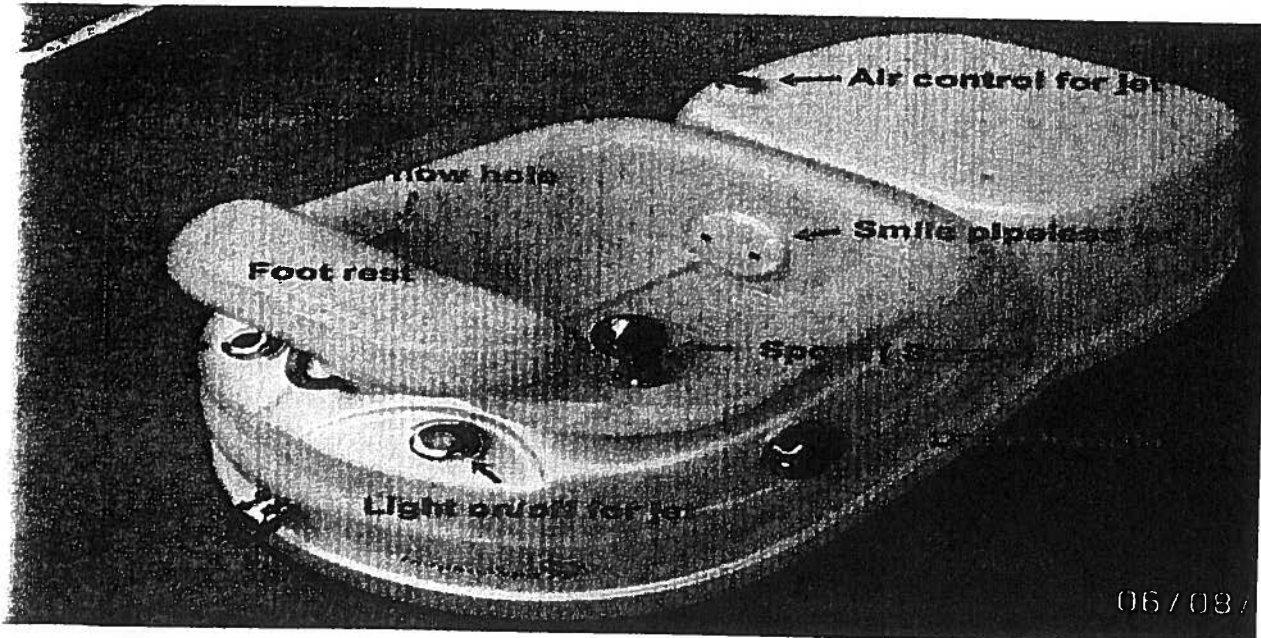


■ CONNECT TRANSFORMER WITH CHAIR

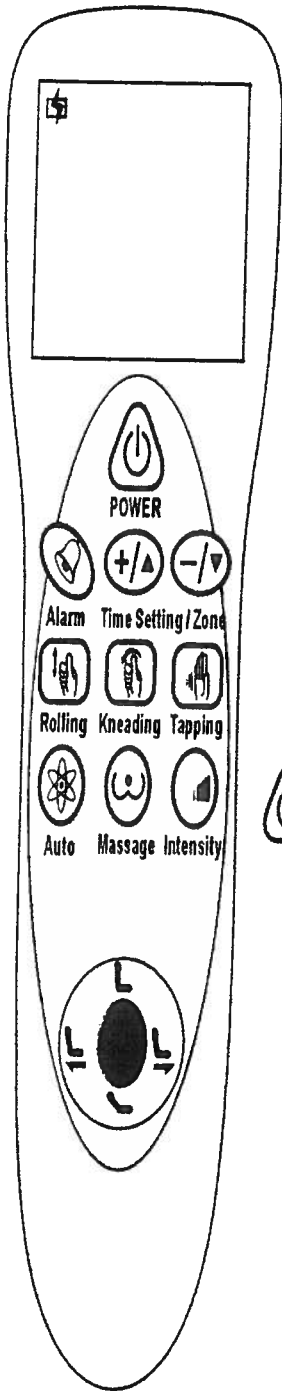


Operation Instruction

- Parts of bases :



■ MESSAGE SYSTEM MANUAL



Operating Instructions

1. Connect the power cord of transformer. Push both parts firmly together.
 2. Plug another electric cord of transformer into the chair's power hole.
 3. Put the plug of transformer (100-240 volt, 50-60 HZ.) into the electrical wall outlet (Make sure the correct type plug is used in your area.)
 4. The "LCD" lamp light immediately and power mark "⏻" show up after you plug power cord of transformer into the chair's power hole.
1. The 15 minutes timer works automatically once you press it.
 2. You can increase/decrease the massage system working time by the button of "Timer Setting". (Please Note: Before you press , You must press twice)
 3. All massage programs will not work before you press the button.
 4. Press again for turning off the function.
 5. The massage system will go to the upper of chair after you turn off the power, please wait for 30 seconds for start next operation.



POWER button :



Alarm button :

Press one time then press to set up the time of alarm you want. Show on the LCD screen



Rolling / Kneading button:

Press once for starting comfortable up/down/cyclic kneading combined rolling massage mode, the " Rolling / Kneading lamp flash when it is working . Press again for turning off the function.



Tapping button:

Press once for starting comfortable tapping massage . Press again for turning off the function.



Time Setting/Zone button:

You can use the two buttons to increase or decrease massage time.



Please Note: you must press twice then press to increase or press to decrease massage time.



Vibration button:

It is vibration massage key. Press once , the " vibration indicate lamp " flash. Press again for turning off the function. The function only works at the chair seat zone.



Intensity :

It is a strength adjustment button of vibration massage. Press it for selecting differ kinds of vibration strength .



AUTO:

It is auto-kneading / rolling combined with tapping and vibration massage patterns. Press " On / Off button " first then choose the " Auto " program you want. Four auto programs are available. Press any button for turning off the function.



Incline / Decline button :

It is an adjustment button for chair back .



Forward/ backward :

It is an adjustment button for chair seat .

Electrical and Plumbing Requirements

The Pedicure Spa must be conveniently located near adequate utilities as follow:

- **Electrical Requirement**

An 120V, 60 Hz, 15 Amp or , 220V-240V/ 50HZ , 10 A , GFCI (Ground Fault Circuit Interrupter) MUST be used to supply power to the Foot Spa. (depend on what voltage using in your area)

WARNING: You must call a qualified electrician to connect the pedicure spa. Failure to do so may result in serious injury or death due to electrical shock.

- **Water Supply :**

Water supply to the Pedicure Spa should consist of a system that will provide both adequate water pressure and water temperature. All plumbing connections must conform to local codes.

- **Water pressure:**

Normal water pressure of 30 -120 P.S.I. is required to correctly fill the tub to proper levels

- **Water temperature:**

The water temperature should never exceed 105 F°. This temperature should not create a problem for any normal water heater in good working order.

- **Water Drain Line:**

Connect the footspa drain system with enclosed drain pipe before you drain water from the tub. You can ask your local, qualified electrician and plumber to install a discharge pump if necessary.

Installation

Please read carefully and follow all instructions in this manual. The installation must comply with local, state and national building, plumbing and electrical codes, where applicable. A licensed plumber should complete the installation. Electrical wiring, components and connections must be completed by a licensed electrician.

- **Floor Level:**

Select a level location where the floor structure beneath the Pedicure Spa is capable of supporting it.

IMPORTANT: For safety, the base of the Pedicure Spa must be a minimum of 22" from the back wall. If this distance is less, the seat back will still recline; however, it will hit the back wall

- **Plumbing connections**

All plumbing connections drain and fresh hot / cold water should be made by a qualified, licensed plumber in accordance with local plumbing and building codes.

- a. **Connect Hot and Cold water supply:**

Carefully connect 1/2- ID supply tubes to a fresh water source. Shut-off valves should be utilized.

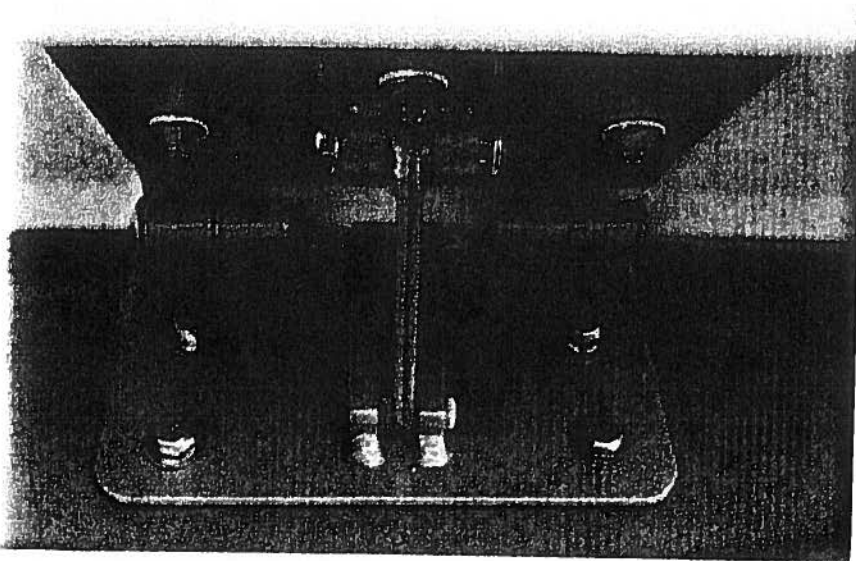
- b. **Connect drain line:**

Using 1 1/4" scheduled PVC drain pipe and appropriate traps, connect drain to meet local plumbing codes.

- **Electrical Connection: Made sure voltage of your area before connect it.**

All electrical connections MUST be made by a qualified, licensed electrician in accordance with Local and National Electrical and Building Codes. A 110V, 60Hz, 15 Amps. Or 220V, 50Hz , 10Amps GFCI protected grounded circuit MUST be used to supply power to the Pedicure Spa.

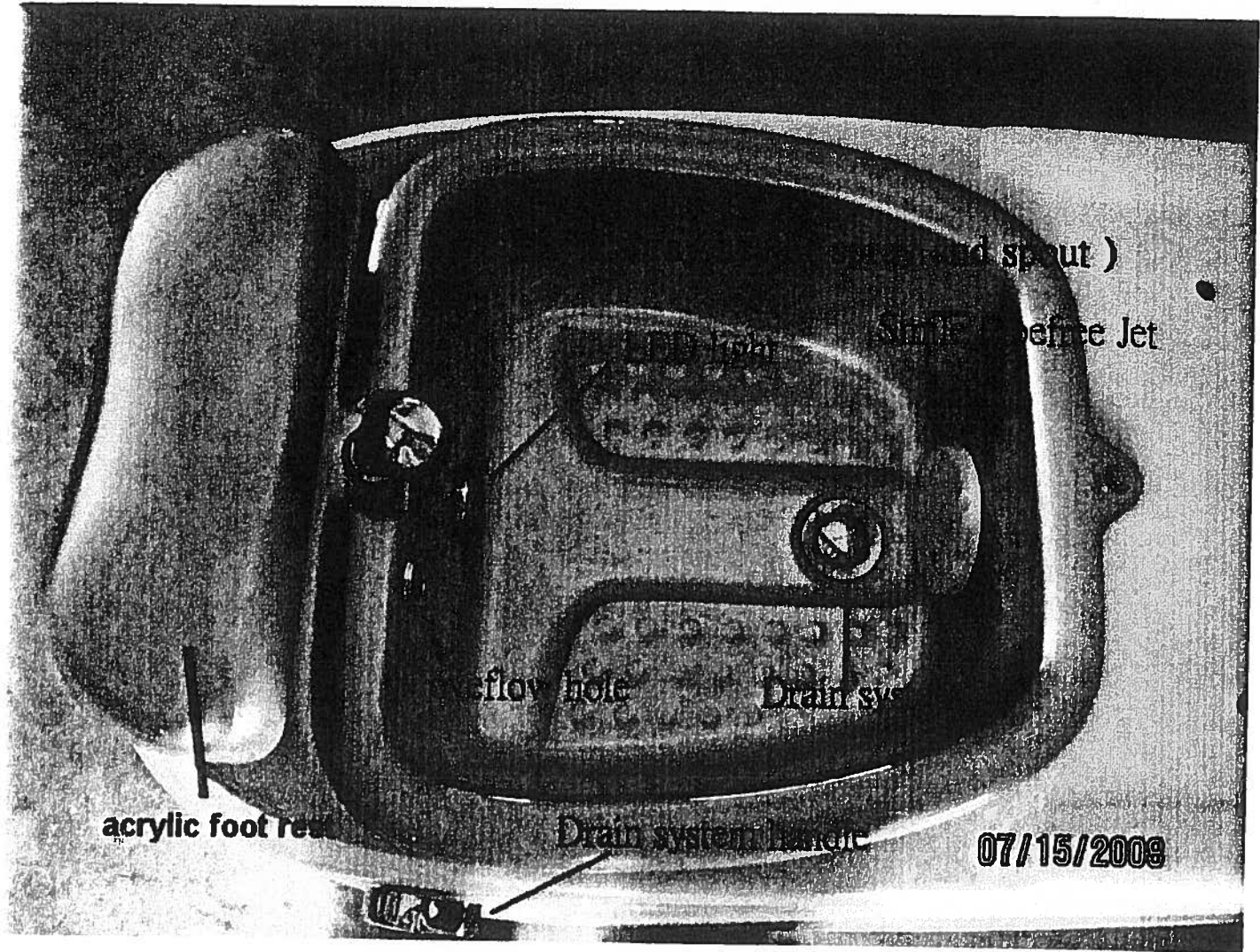
- **Connect foot rest bracket :**



- **Testing the Pedicure Spa :**

After the plumbing and electrical connections have been made and the base unit has been secured to the floor, clean the tub and fill with water HIGH than jet(s) .

After the tub is filled with enough water, press the button on the front of the Pedicure Spa to turn the jet motor on and check for leaks at the drain overflow and all inlet and suction fittings. After checking under the tub for leaks, press the same button to turn the pump motor off and drain.

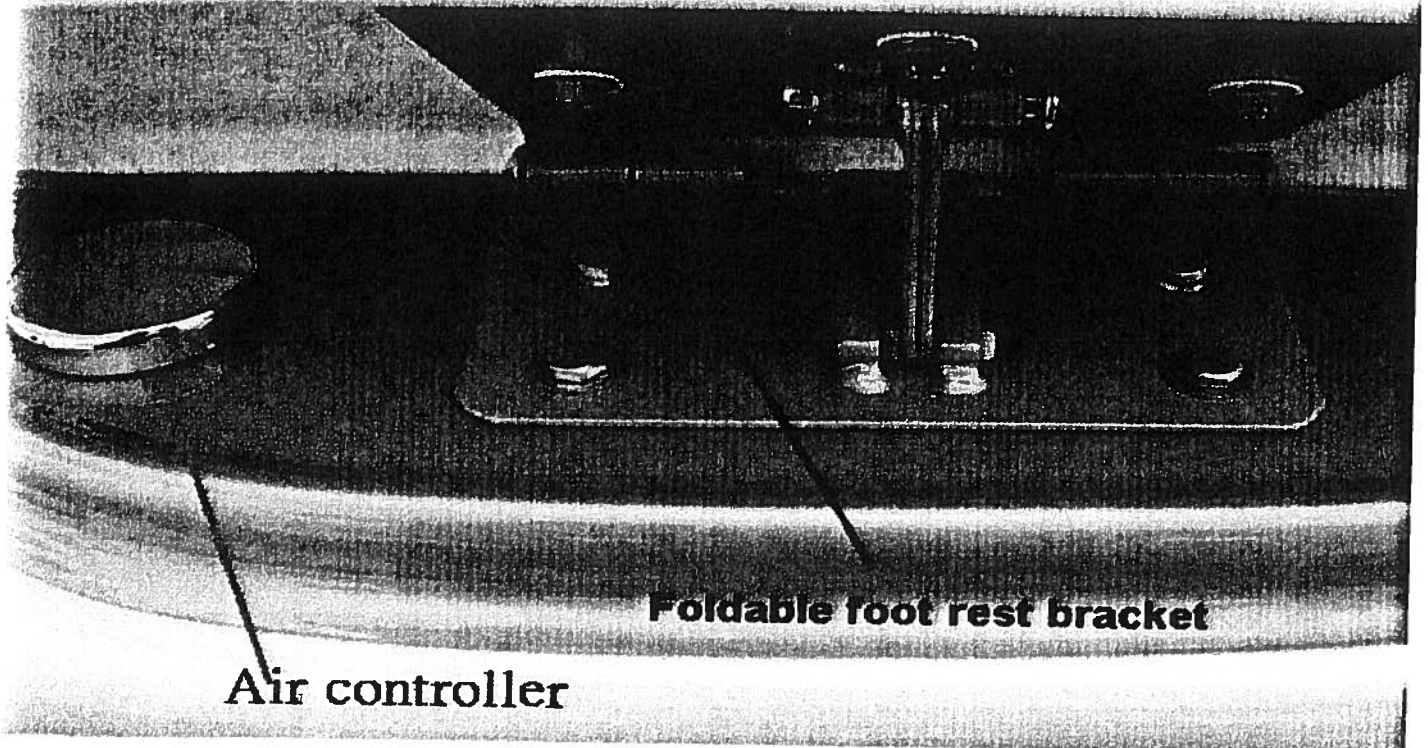


acrylic foot rest

Drain system handle

07/15/2009

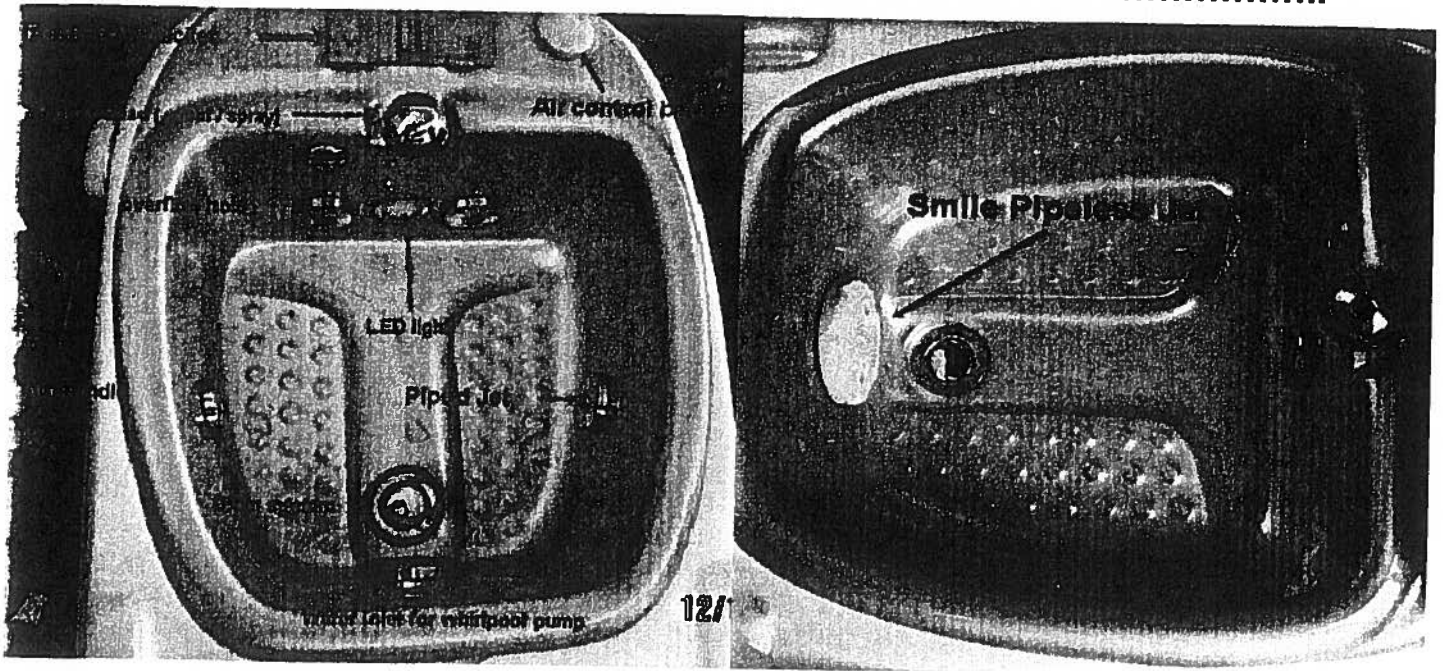
(water tank of 9121 base)



Foldable foot rest bracket

Air controller

Pedicure Spa Cleaning Guide



(Whirlpool Piped Jets)

(Smile Pipeless Jet)

Whatever your base either piped jets or pipeless jet , **Thorough cleaning is key.** Good care requires both cleaning the basin after each customer and flushing the entire system periodically. How often the system needs flushed depends largely on your volume. Be careful not to use anything that could scratch or gouge the surface, as those places can become breeding grounds for bacteria. We recommends below for cleaning.

- Drain all water and remove all debris from the pedicure spa.
- Clean the surface and walls of the spa with soap or detergent and rinse with clean water.
- Wipe dry with clean towel.
- Remove the screen (cover). All debris trapped behind the screen of each pedicure spa needs to be removed, and the screen and the inlet need to be washed with soap or detergent and water.
- It is also a good idea to remove the filter screen over the whirlpool inlet regularly and wash it with a chlorine solution.
- Procedures for the end of each day, fill the pedicure spa tub (five gallons) with water and four teaspoons of 5% bleach solution (a dose of 50 parts per million ppm: 0.64 oz).

- **Add Water to the Pedicure Spa Basin:**

- a. Turn the overflow knob counter-clockwise until it stops to close drain hole.
- b. Lift upward on the hot & cold control mixer to add water to the basin.
- c. Turn the handle in a counter-clockwise direction for cold water or clockwise for warm water as indicated by the red (hot) and blue (cold) markings under the handle. Continue to add water until the fill line is reached.

CAUTION: Always check water temperature before use; hot water can burn skin. Water temperature should not exceed 105° F (38° C)

- **Turn off water:**

Turn the off water by pushing the handle downward. Start or stop the whirlpool by pressing the On/Off Air Switch button.

- **Remove water from the Pedicure Spa Basin:**

Make sure that the whirlpool jet is turned off by pressing the on/off button. For use with a floor drain, simply open the drain by turning the overflow knob in a clockwise direction until it stops. You should see the water level lowering as water exits the basin.

- **Remove water with the drain pump (optional):**

For use with the optional drain pump feature, open the drain before you turn on drain pump. Press the round button in the front panel.

The water level will lower as water is pumped out of the basin. Turn the pump off by pressing the button in the front panel once the basin is fully drained (NOTE: the drain pump will automatically shut off after 3 minutes.) We recommend turning off the pump manually if all water has drained before automatic shut-off. Drain pump may overheat if operated more than 10 minutes.

NOTE: If you are using a wall drain, it is very important that you close the drain cap for each use. Failure to do so will result in contamination of the system.

NOTE: DO NOT turn the spa "ON" unless adequate water is fully filled in the tub

NOTE :

Do not drain the tub until the pump has completely stopped operating. Turn the overflow/waste assembly to drain the water from the tub and plumbing system. **IMPORTANT:** The entire system is automatically self-draining and should be drained after each use so that no stagnant water remains in the whirlpool system.

Limited Warranty -----

The Footspa was made under high standards of workmanship and with high quality materials. According our expressly warrant the footspa as below:

TO the original owner of the footspa . We may repair or exchange at its option, any Footspa found to be defective in material or workmanship upon inspection by our authorized distributor. This warranty covers the following components for the following time periods :

- Recirculation Pump : One year from date of purchase
- Electric Motors : One year from date of purchase
- Footspa Shell : One year from date of purchase

The exchange of a Footspa is limited to supplying a replacement Footspa of a comparable style and size. Owner must pay all labor and delivery charge necessary to replace or repair the Footspa. PLEASE NOTE: This warranty is null and void if the Footspa is removed from its place of initial installation, or is not installed in accordance with federal, state or local codes and ordinances.

Furthermore, this warranty does not apply if the Footspa has been subject to misapplication, improper installation or maintenance or other circumstances beyond our can control.

Should service be required for any reason of any defect during the warranty period, please contact the below distributor.

| | | |
|-------------------------------|---|-------|
| Date of installation | : | _____ |
| Serial Number of base | : | _____ |
| Serial Number of chair | : | _____ |
| Stamp of distributor | : | |